

Please read and save these instructions. Read through this owner's manual carefully before using product. Protect yourself and others by observing all safety information, warnings, and cautions. Failure to comply with instructions could result in personal injury and/or damage to product or property. Please retain instructions for future reference.



## 72" 11 DRAWER CABINET AND UPPER CABINET - STAINLESS STEEL

### FOR CUSTOMER SERVICE

Technical Question?

**CALL 1-866-458-2472**  
**customerservice@oem-tools.com**

### UNPACKING

After unpacking the unit, inspect carefully for any damage that may have occurred during transit. Check for loose, missing, or damaged parts. If any damage is observed, a shipping damage claim must be filed with the carrier. DO NOT use the OEMTOOLS® 72" 11 Drawer Cabinet and Upper Cabinet - Stainless Steel if broken, bent, cracked or damaged parts (including labels) are noted. Any Tool Cabinet that appears damaged in any way, operates abnormally or is missing parts should be removed from service immediately. If you suspect that the Tool Cabinet was subjected to shock load (a load that was dropped suddenly, unexpectedly, etc.) immediately discontinue use until it has been checked by a factory authorized service center.



### **▲ WARNING**

The following safety information is provided as a guideline to help you operate your Tool Cabinet under the safest possible conditions. Any tool or piece of equipment can be potentially dangerous to use when safety or safe handling instructions are not known or not followed. The following safety instructions are to provide the user with the information necessary for safe use and operation. Please read and retain these instructions for the continued safe use of your Tool Cabinet. Failure to follow instructions listed below may result in serious injury. In addition, make certain that anyone who uses the equipment understands and follows these safety instructions as well.

### Explanation of Safety Signal Words

**▲WARNING:** Indicates a potentially hazardous situation which, if not avoided, could result in death or serious injury.

**▲CAUTION:** Indicates a potentially hazardous situation which, if not avoided, may result in minor or moderate injury.

**CAUTION:** Used without the safety alert symbol indicates a potentially hazardous situation which, if not avoided, may result in property damage.

**NOTES:** Provide clarity and helpful information.

Thank you very much for choosing an OEMTOOLS® Product!

For future reference, please register your new tool at [www.oem-tools.com](http://www.oem-tools.com) and complete the owner's record below:

**Model:** \_\_\_\_\_ **Purchase Date:** \_\_\_\_\_

Save the receipt, warranty and these instructions. It is important that you read the entire manual to become familiar with this product before you begin using it. This product is designed for certain applications only. OEMTOOLS® cannot be responsible for issues arising from modification. We strongly recommend that this product is not modified and/or used for any application other than that for which it was designed. If you have any questions relative to a particular application, DO NOT use the product until you have first contacted customer service to determine if it can or should be performed on the product.

**▲WARNING:** Pursuant to California Proposition 65, this product contains chemicals known to the state of California to cause cancer and birth defects or other reproductive harm. Wash hands after handling.



# 72" 11 DRAWER CABINET AND UPPER CABINET - STAINLESS STEEL

## IMPORTANT INSTRUCTIONS AND SAFETY RULES

1. The maximum product weight, including contents, for this unit should be no more than 1600 Lb. (726 kg).
2. The maximum weight for each drawer should be no more than 100 Lb. (45 kg).
3. Do not attempt to lift the cabinet using chains, ropes or lifting devices, if two people cannot lift the cabinet by the side handles. Use a forklift placed under the bottom of the cabinet if this situation occurs. The side handle may fail, which may cause personal injury or damage to the product.
4. Close the doors and lock the drawers before moving this product. The drawers could come open and make the product unstable and tip, which may cause personal injury or product damage.
5. BE CAREFUL when closing the doors. Remove hands before the door closes completely to prevent personal injury.
6. DO NOT stand on this product. You may fall, which may cause personal injury.
7. Wear safety glasses when removing or repositioning the slides.
8. When moving this product, do not pull it. Push the product to prevent personal injury.
9. Use the brakes when not moving this product. This will prevent the product from rolling, which may cause personal injury or product damage.
10. Be careful when opening more than one drawer at a time. The product could become unstable and tip, which may cause personal injury or product damage.
11. Secure this product properly before moving it with a forklift.
12. DO NOT tow with power equipment. The product could tip, which may cause personal injury or product damage.
13. DO NOT alter this product in any manner. For example, do not weld external lockbars or attach electrical equipment. This may cause product damage or personal injury.
14. Keep the product on level surfaces. The product could become unstable and tip if stored or moved on an uneven surface, which may cause personal injury or product damage.

## PRODUCT DESCRIPTION

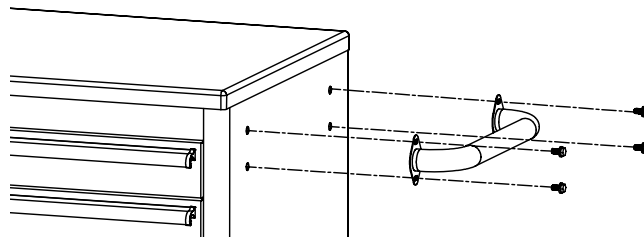
The OEMTOOLS® 72" 11 Drawer Cabinet and Upper Cabinet - Stainless Steel combines the flexibility of a drawer toolbox with the efficiency and organization of their patented peg tool storage system to keep your tools organized and in one place in your shop or garage.

## CABINET SPECIFICATIONS

Part #	24615
Dimensions	72" (W) x 20-5/8" (D) x 72" (H)
Drawers	22" (W) x 3-1/8" (H) (6)
	22" (W) x 6-1/8" (H) (2)
	22" (W) x 9-3/8" (H) (3)

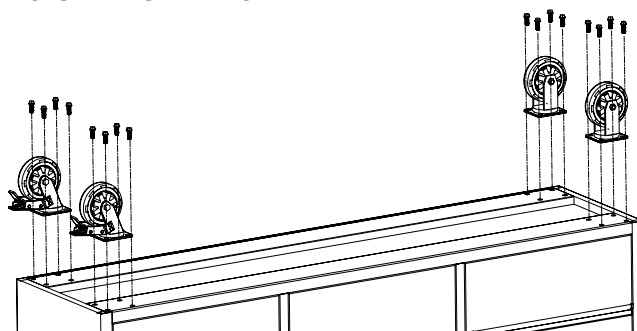
## ASSEMBLY STEPS

### 1. HANDLE INSTALLATION



**NOTE:** Assemble the handle first to make it easier to move the cabinet. Position the handle over the holes in the cabinet and attach with the 1/4" x 12 mm hex bolts provided. Tighten securely. Repeat for the other handle on the other side of the cabinet.

### 2. CASTER INSTALLATION



**CAUTION:** Two or more people are required to lay down or stand up the cabinet. Use the side handles for assistance. DO NOT stand in front of or behind the product during this process. Lock drawers before proceeding.

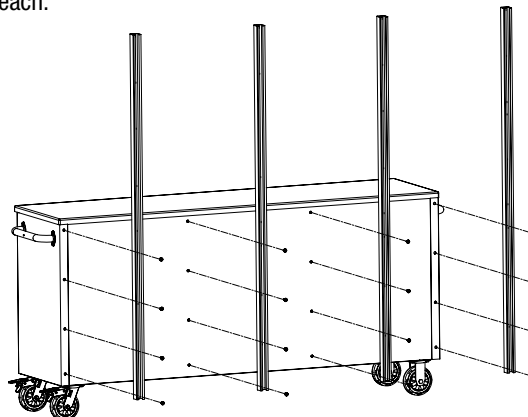
Carefully lay the cabinet on its back, with a soft mat underneath for protection.

Position the two swivel casters on the cabinet bottom, on the left side. Insert four 3/8" x 25 mm hex bolts through each caster and into the bottom of the cabinet. Tighten securely.

Repeat for the two rigid casters on the other side of the cabinet.

### 3. RAIL, PEGBOARD AND UPPER CABINET INSTALLATION

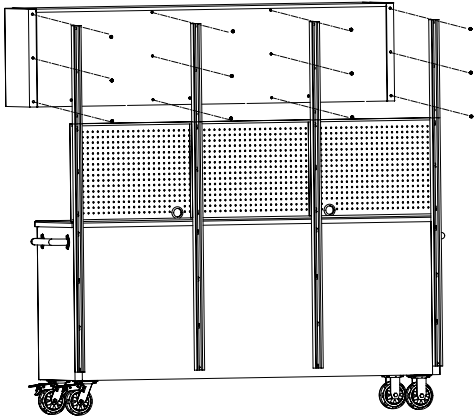
Attach the four rails to the tool cabinet with four 1/4" x 14 mm hex bolts each.



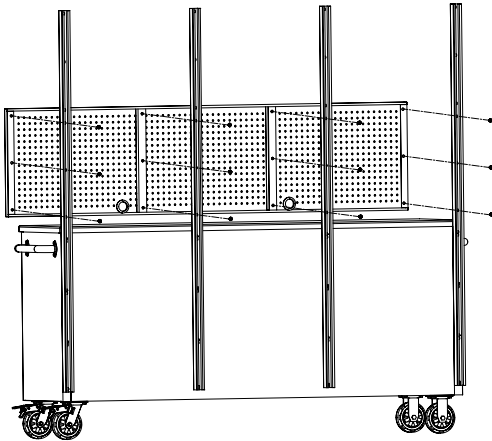


# 72" 11 DRAWER CABINET AND UPPER CABINET - STAINLESS STEEL

Attach the pegboard to the rails with twelve 1/4" x 14 mm hex bolts.



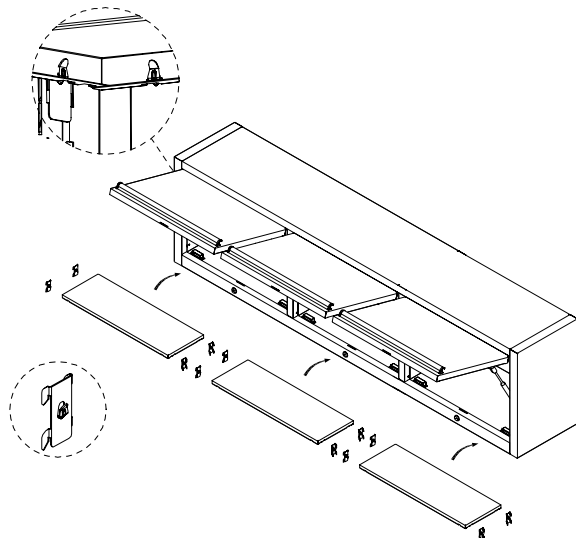
Attach the upper cabinet to the rails with twelve 1/4" x 14 mm hex bolts.



### 4. SHELF ASSEMBLY

Insert four hooks inside the upper cabinet at the desired height. Place the shelf on the shelf supports.

Repeat for the other shelves.

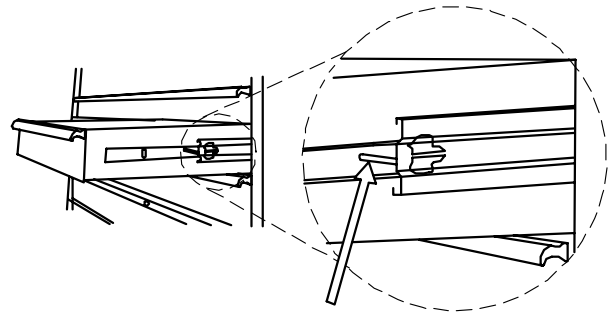


### DRAWER REMOVAL

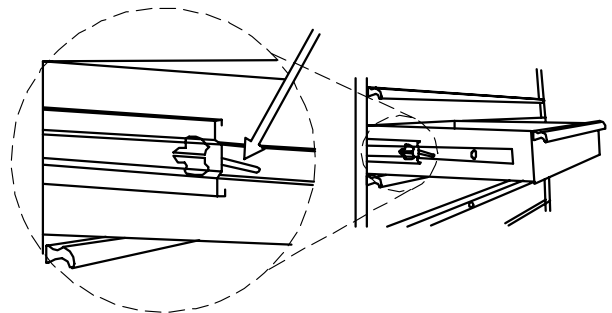
Pull the drawer out so that it's almost fully extended. Push up on the black release lever on one side, while pulling down on the black release lever on the other side.

While holding the levers in the positions as instructed above, pull the drawer outward until it is released from the drawer slide.

#### ONE SIDE - PUSH UP



#### OTHER SIDE - PUSH DOWN



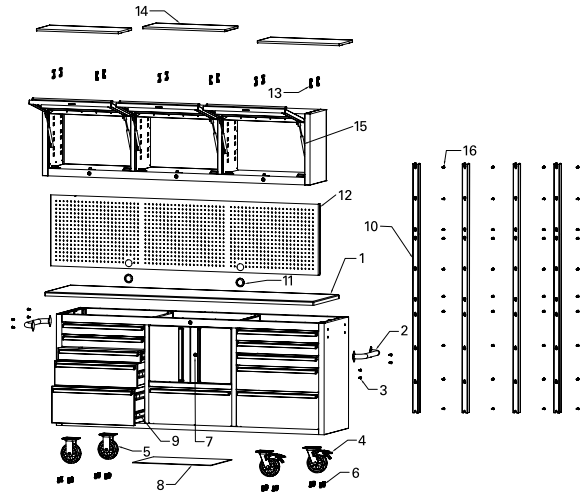
### DRAWER REPLACEMENT

Extend the drawer slides from the tool cabinet. Insert the brackets on each side of the drawer into the slots in the slides, being careful that they are properly positioned. Once properly inserted, completely close the drawer to set the slides in their proper positions.



# 72" 11 DRAWER CABINET AND UPPER CABINET - STAINLESS STEEL

## CABINET PARTS DIAGRAM



THE KEYS, HANDLE AND CASTERS ARE PLACED IN THE LOWER LEFT DRAWER

## CABINET PARTS LIST

Figure	Part #	Description	Qty.
1	16028025A0	Work Top	1
2	12038033A0	Cabinet Handle	2
3	06128047A0	1/4" x 12 mm Hex Bolt	8
4	05108066A0	Swivel Caster (with brake)	2
5	05108067A0	Rigid Caster	2
6	06128046A0	3/8" x 25 mm Hex Bolt	16
7	05158013A0	Lock (A-C)	5
8	05168093A0	Drawer Liner	11
9	05148012A0	Slide Set	14
10	04078767A0	Rail	4
11	06808078A0	Grommet	2
12	04078765A0	Pegboard	1
13	04048570A0	Hook	12
14	04048766A0	Shelf	3
15	05138092A0	Gas Strut	6
16	06128079A0	1/4" x 14 mm Hex Bolt	40

**NOTE:** Not all components of the Tool Cabinet are replacement items, but are illustrated as a convenient reference for location and position in the assembly sequence. The manufacturer and/or distributor have provided the parts list and assembly diagram in this manual as a reference tool only. Neither the manufacturer nor distributor makes any representation or warranty of any kind to the buyer that he or she is qualified to make any repairs to the product, or that he or she is qualified to replace any parts of the product. In fact, the manufacturer and/or distributor expressly states that all repairs and parts replacements should be undertaken by certified and licensed technicians, and not by the buyer. The buyer assumes all risk and liability arising out of his or her repairs to the original product or replacement parts thereto, or arising out of his or her installation of replacement parts thereto.

## OEMTOOLS® 3 YEAR WARRANTY

For up to three years from the date of purchase of this OEMTOOLS® product, if you find any defect in material or workmanship (through normal usage), return it to the place of purchase or to OEMTOOLS® for repair or replacement at our discretion. In order to obtain this service, send your tool and proof of purchase (transportation pre-paid) to: OEMTOOLS® Q.A. Dept., 3580 E. Raines Road #3, Memphis, TN 38118.

We will not be responsible for lost or damaged goods during transportation; please insure your package. If our inspection verifies the defect, we will either repair or replace the product, or we may elect to refund the purchase price if we cannot readily and quickly provide you with a replacement. We will return repaired products at our expense, but if we determine there is no defect, or that the defect resulted from causes not within the scope of our warranty, then you must bear the cost of returning the product.

OEMTOOLS® does not provide warranty for products labeled other than OEM® or OEMTOOLS®. OEMTOOLS® will not provide any warranty for products subjected to abnormal use. Abnormal use includes (but is not limited to) abuse, accident, alteration, neglect, and unauthorized or unreasonable use or repairs. This warranty does not cover bits, blades, files, batteries, or calibration. We recommend that you maintain your tools and sharpen or replace blades, bits, files, and batteries as necessary. OEMTOOLS® reserves the right to make any changes in construction or design at any time without any obligation in incorporating such changes to tools or equipment previously sold.

OEMTOOLS® makes every effort to ensure that its products meet high quality and durability standards, and warrants to the original purchaser that this product is free from defects in materials and workmanship for the period of three years from the date of purchase. This warranty does not apply to damage due directly or indirectly to misuse, abuse, negligence or accidents, repairs or alterations outside our facilities, criminal activity, improper installation, normal wear and tear, or to lack of maintenance.

We shall in no event be liable for death, injuries to persons or property, or for incidental, contingent, special or consequential damages arising from the use of our product. Some states do not allow the exclusion or limitation of incidental or consequential damages, so the above limitation of exclusion may not apply to you. THIS WARRANTY IS EXPRESSLY IN LIEU OF ALL OTHER WARRANTIES, EXPRESS OR IMPLIED, INCLUDING THE WARRANTIES OF MERCHANTABILITY AND FITNESS. This warranty gives you specific legal rights, and you may also have other rights, which vary from state to state.

Don't forget to register your new OEMTOOLS® product at [www.oem-tools.com](http://www.oem-tools.com).

# CONTACT US

3580 E. Raines Road, Suite 3, Memphis, TN 38118  
Tel: 1-866-458-2472  
[www.oem-tools.com](http://www.oem-tools.com)

