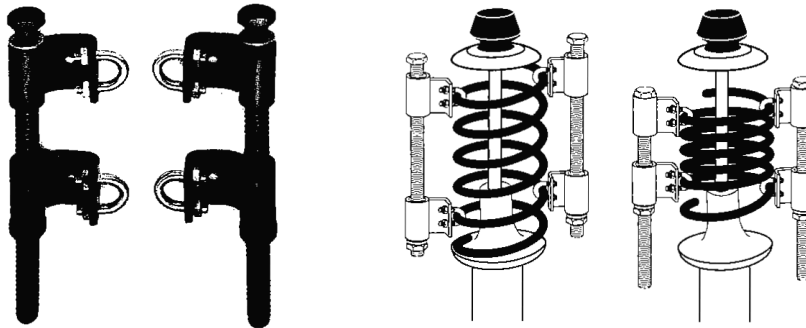


Strut Coil Spring Compressor

Instructions

Read instructions carefully and understand it completely, basic safety precaution should always be strictly followed to prevent the damage to the tool and injury to the operator. Retain these instructions for future reference.

Used for compressing springs on MacPherson Strut style suspension



- 1. NOT FOR USE WITH IMPACT WRENCHES OR POWER TOOLS**
- 2. Always wear gloves and safety goggles**
- 3. Extend the upper and lower spring hooks to their longest distance apart from each other on both sets. (Open the jaws to their widest point)**
- 4. Place the lower clamp on the spring at the lowest point possible and then tighten the clamp onto the coil of the spring.**
- 5. Place the upper clamp on the upper most coil attaching the clamp to the coil with the clamp.**
- 6. Make sure both upper and lower U-Bolts are securely attached to the coil spring making sure that each set is in the center of the coil spring. (equally across from each other)**
- 7. Using socket, ratchet wrench or open end wrench, tighten spring compressor equally on both sides until the spring separates from the top bearing plate.**
- 8. When the spring no longer touches the top bearing plate, the spring is compressed sufficiently.**
- 9. Mark the position of the top bearing plate studs for reference, remove plate.**
- 10. Remove compressor and spring carefully and lay it down. DO NOT DROP OR BANG THE SPRING IN ANY WAY.**
- 11. COMPRESSED SPRINGS CAN CAUSE SEVERE BODILY DAMAGE OR DEATH.**
- 12. Perform the cartridge replacement or maintenance procedure and reassemble the MacPherson strut suspension carefully.**

WARRANTY

OEM Limited One Year Warranty

For one (1) year from the date of purchase OEM tools will warranty this tool against defects in materials and workmanship. Defective OEM brand hand tools purchased from an authorized OEM distributor will be repaired or replaced when returned freight prepaid to the OEM Warranty Dept., 3580 E. Raines Rd. #3, Memphis, TN 38118. Proof of purchase with date of purchase will be required with all returns.

OEM will not be responsible for any consequential or incidental damages arising from the breach of this or any other warranty, whether expressed, implied or statutory.

Some states do not allow the exclusion or limitation of consequential or incidental damages, so the above exclusion may not apply to you. This warranty gives you specific legal rights, and you may also have other rights which vary from state to state.

Distributed by GreatNeck Tools LLC, Mineola, NY 11501
Rev 12/10

Customer Service 1-866-458-2472
www.greatnecktools.com

ALWAYS WEAR SAFETY GOGGLES

GREATNECK TOOLS LLC
MINEOLA, NY 11501
MADE IN CHINA