

Please read and save these instructions. Read through this owner's manual carefully before using product. Protect yourself and others by observing all safety information, warnings, and cautions. Failure to comply with instructions could result in personal injury and/or damage to product or property. Please retain instructions for future reference.



29" PORTABLE TEAR DOWN TRAY

FOR CUSTOMER SERVICE

Technical Question?

CALL 1-866-458-2472
customerservice@oem-tools.com

UNPACKING

After unpacking the unit, inspect carefully for any damage that may have occurred during transit. Check for loose, missing, or damaged parts. If any damage is observed, a shipping damage claim must be filed with the carrier. DO NOT use the OEMTOOLS™ 29" Portable Tear Down Tray if broken, bent, cracked or damaged parts (including labels) are noted. Any Tear Down Tray that appears damaged in any way, operates abnormally, or is missing parts should be removed from service immediately. If you suspect that the Tear Down Tray was subjected to shock load (a load that was dropped suddenly, unexpectedly, etc.), immediately discontinue use until it has been checked by a factory authorized service center.



24616
(GREEN)

24933
(BLUE)

24935
(RED)

24939
(HAMMERTONE)

24960
(BLACK)

▲ WARNING

The following safety information is provided as a guideline to help you operate your Tear Down Tray under the safest possible conditions. Any tool or piece of equipment can be potentially dangerous to use when safety or safe handling instructions are not known or not followed. The following safety instructions are to provide the user with the information necessary for safe use and operation. Please read and retain these instructions for the continued safe use of your Tear Down Tray. Failure to follow instructions listed below may result in serious injury. In addition, make sure that anyone who uses the equipment understands and follows these safety instructions as well.

Explanation of Safety Signal Words

▲WARNING: Indicates a potentially hazardous situation which, if not avoided, could result in death or serious injury.

▲CAUTION: Indicates a potentially hazardous situation which, if not avoided, may result in minor or moderate injury.

CAUTION: Used without the safety alert symbol indicates a potentially hazardous situation which, if not avoided, may result in property damage.

NOTES: Provide clarity and helpful information.

Thank you very much for choosing an OEMTOOLS™ Product!

For future reference, please register your new tool at www.oem-tools.com and complete the owner's record below:

Model: _____ **Purchase Date:** _____

Save the receipt, warranty and these instructions. It is important that you read the entire manual to become familiar with this product before you begin using it. This product is designed for certain applications only. OEMTOOLS™ cannot be responsible for issues arising from modification. We strongly recommend that this product is not modified and/or used for any application other than that for which it was designed. If you have any questions relative to a particular application, DO NOT use the product until you have first contacted customer service to determine if it can or should be performed on the product.



29" PORTABLE TEAR DOWN TRAY

! IMPORTANT INSTRUCTIONS AND SAFETY RULES

1. Know your product. Read this manual carefully. Learn the product's applications and limitations, as well as potential hazards specific to it.
2. Maintain labels and nameplates on this product. These carry important information. If unreadable or missing, contact OEMTOOLS™ for a replacement.
3. Keep work area clean and well lit. Cluttered or dark work areas invite accidents.
4. Keep children away. All children should be kept away from the work area. Never let a child handle tools or equipment without strict adult supervision.
5. DO NOT operate this product if under the influence of alcohol or drugs. Read warning labels on prescriptions to determine if your judgment or reflexes are impaired while taking drugs. If there is any doubt, DO NOT attempt to operate.
6. Use safety equipment. Eye protection should be worn at all times when operating this product. Use ANSI approved safety glasses. Everyday eyeglasses are NOT safety glasses. Dust mask, non-skid safety shoes, hard hat, or hearing protection should be used in appropriate conditions.
7. Wear proper apparel. Loose clothing, gloves, neck-ties, rings, bracelets or other jewelry may present a potential hazard when operating this product. Keep all apparel clear of the product.
8. DO NOT overreach. Keep proper footing and balance at all times when operating this product.
9. Check for damage. Check equipment regularly. If part of the product is damaged, it should be carefully inspected to make sure that it can perform its intended function correctly. If in doubt, discontinue use of product.
10. Keep away from flammables. DO NOT attempt to operate this product near flammable materials or combustibles. Failure to comply may cause serious injury or death.
11. Store this product out of the reach of children and untrained persons. This product may be dangerous in the hands of untrained users.
12. Use only accessories that are recommended by the manufacturer for your model. Accessories that may be suitable for one product may become hazardous when used on another product.
13. Service must be performed only by qualified repair personnel. Service or maintenance performed by unqualified personnel could result in a risk of injury.
14. When servicing a product, use only identical replacement parts. Use of unauthorized parts or failure to follow maintenance instructions may create a risk of injury.

15. Maintain a safe working environment. Keep the work area well lit. Make sure there is adequate surrounding workspace. Keep the work area free of obstructions, grease, oil, trash, and other debris. DO NOT use this product in a damp or wet location.
16. Keep this product dry, clean, and free from brake fluid, oil, and grease.
17. Avoid accidental fire. DO NOT smoke near this product.
18. The warnings, precautions, and instructions discussed in this manual cannot cover all possible conditions and situations that may occur. The operator must understand that common sense and caution are factors which cannot be built into this product, but must be supplied by the operator.
19. We believe the information contained herein to be reliable. However, general technical information is given by us without charge and the user shall employ such information at their own discretion and risk. We assume no responsibility for results or damages incurred from the use of such information in whole or in part.
20. The manufacturer declines any and all responsibility for property damage or injury if said damage is the result of unskillful handling by the operator or of failure to observe the basic safety rules set forth in the instruction manual.
21. The procedures documented in this manual are to serve as guidelines for the use of this product.
22. The use of this product is simple and straightforward if you follow the instructions. When operating this product, use common sense, and only use this product for its intended purpose.

PRODUCT DESCRIPTION

The OEMTOOLS Portable Tear Down Tray is an adjustable height tool tray for transporting tools and small parts to your workspace.

PRODUCT SPECIFICATIONS

Tray Dimensions	29" (L) x 20" (W)
Tray Depth	1.5"
Number of Compartments	4 / EVA Lined
Adjustable Height Range	34.5" to 48.75"
Min. Capacity (at extended height)	143 Lbs. (64 kg)
Max. Capacity (at lowest height)	220 Lbs. (100 kg)

CONTENTS

(1) Tool Tray, (4) EVA Mats, (1) Protective Rubber Bumper, (1) Upper Support Column, (1) Lower Support Column, (1) Base Strut, (1) Extended Base Strut, (1) Height Adjustment T-Bolt, (4) Casters, Hardware for Assembly





29" PORTABLE TEAR DOWN TRAY

SPECIFIC SAFETY INSTRUCTIONS AND WARNINGS

▲WARNING: Thoroughly read and understand the provided product manual before attempting to use this product.

▲WARNING: DO NOT stand on this product. You may fall, which could lead to personal injury.

▲WARNING: DO NOT alter this product in any way. Any added material or components may imbalance the tray, which could lead to property damage and personal injury.

▲WARNING: Be mindful of sharp edges/welds while assembling and operating this Tear Down Tray. Always wear safety gloves and appropriate safety equipment while working with tools and equipment.

▲WARNING: DO NOT exceed weight capacity (see product specifications). This could lead to product failure and personal injury.

▲WARNING: Keep this tray on a level surface. Failure to do so could cause the tray to tip, and lead to property damage and personal injury.

ASSEMBLY INSTRUCTIONS

1. Remove all contents from the box and reference the parts list to ensure that all parts are present.
2. Fasten (2) Casters (I) to each Base Strut (G & F). Ensure that the square reinforcement on each Caster (I) is fully inserted into each square slot on the Base Struts (G & F).
3. Align the base plate of the Lower Support Column (J) to the holes on the Base Strut (F). Fasten securely using the M8 x 16 Hex Bolt (L).
4. Slide the Extended Base Strut (G) into the Lower Support Column (J). Fasten together with the M8 x 16 Hex Bolts (L).
5. Lay the Top Tray (A) upside down, onto a clean protected surface. Attach the mounting bracket of the Upper Support Column (D) to the bottom of the Tray (A) using the M8 x 16 Hex Bolts (L).
6. Slide the completed Upper Assembly (Step 5) into the top of the Lower Support Column (J), and secure at the desired height using the Height Adjustment T-Bolt (E).

SUGGESTED TOOLS FOR ASSEMBLY

1. Metric Socket Set and Ratchet
2. Combination Wrench Set
3. Adjustable Wrench

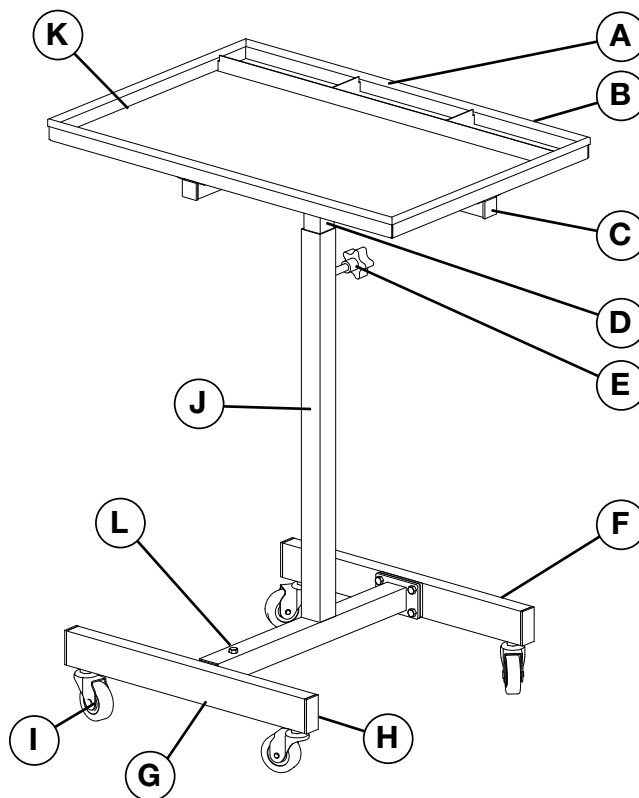
STORAGE

1. Lower the tray to the lowest height setting for storage.
2. Always store this product on a clean, level surface. DO NOT store near flammable materials.

PARTS LIST

Figure	Description	Qty.
A	Tray	1
B	Protective Rubber Bumper	1
C	Small Plastic Insert	4
D	Upper Support Column	1
E	Height Adjustment T-Bolt	1
F	Base Strut	1
H	Large Plastic Insert	4
G	Extended Base Strut	1
I	2" Caster	4
J	Lower Support Column	1
K	EVA Mats	4
L	M8 x 16 Hex Bolt	9

PRODUCT LAYOUT





29" PORTABLE TEAR DOWN TRAY

OEMTOOLS™ ONE YEAR WARRANTY

For up to one year from the date of purchase of this OEMTOOLS™ product, if you find any defect in material or workmanship (through normal usage), return it to the place of purchase or to OEMTOOLS™ for repair or replacement at our discretion. In order to obtain this service, send the product and proof of purchase (transportation pre-paid) to:

OEMTOOLS™ Q.A. Dept, 3580 E. Raines Road #3, Memphis, TN 38118.

We will not be responsible for lost or damaged goods during transportation; please insure your package. If our inspection verifies the defect, we will either repair or replace the product, or we may elect to refund the purchase price if we cannot readily and quickly provide you with a replacement. We will return repaired products at our expense, but if we determine there is no defect, or that the defect resulted from causes not within the scope of our warranty, then you must bear the cost of returning the product.

OEMTOOLS™ does not provide warranty for products labeled other than OEM® or OEMTOOLS™. OEMTOOLS™ will not provide any warranty for products subjected to abnormal use. Abnormal use includes (but is not limited to) abuse, accident, alteration, neglect, and unauthorized or unreasonable use or repairs. This warranty does not cover bits, blades, files, batteries, or calibration. We recommend that you maintain your tools and sharpen or replace blades, bits, files, and batteries as necessary. OEMTOOLS™ reserves the right to make any changes in construction or design at any time without any obligation in incorporating such changes to tools or equipment previously sold.

OEMTOOLS™ makes every effort to ensure that its products meet high quality and durability standards, and warrants to the original purchaser that this product is free from defects in materials and workmanship for the period of one year from the date of purchase. This warranty does not apply to damage due directly or indirectly to misuse, abuse, negligence or accidents, repairs or alterations outside our facilities, criminal activity, improper installation, normal wear and tear, or to lack of maintenance.

We shall in no event be liable for death, injuries to persons or property, or for incidental, contingent, special or consequential damages arising from the use of our product. Some states do not allow the exclusion or limitation of incidental or consequential damages, so the above limitation of exclusion may not apply to you. THIS WARRANTY IS EXPRESSLY IN LIEU OF ALL OTHER WARRANTIES, EXPRESS OR IMPLIED, INCLUDING THE WARRANTIES OF MERCHANTABILITY AND FITNESS. This warranty gives you specific legal rights, and you may also have other rights, which vary from state to state.

Don't forget to register your new OEMTOOLS™ product at www.oem-tools.com.

CONTACT US

3580 E. Raines Road, Suite 3, Memphis, TN 38118
Tel: 1-866-458-2472
www.oem-tools.com