

Please read and save these instructions. Read through this owner's manual carefully before using product. Protect yourself and others by observing all safety information, warnings, and cautions. Failure to comply with instructions could result in personal injury and/or damage to product or property. Please retain instructions for future reference.



1,000 LB. TELESCOPIC TRANSMISSION JACK

FOR CUSTOMER SERVICE

Technical Question?

CALL 1-866-458-2472
customerservice@oem-tools.com

UNPACKING

After unpacking unit, inspect carefully for any damage that may have occurred during transit. Check for loose, missing, or damaged parts. If any damage is observed, a shipping damage claim must be filed with carrier. Do not use the OEMTOOLS™ 24840 Transmission Jack if broken, bent, cracked or damaged parts (including labels) are noted. Any Transmission Jack that appears damaged in any way, operates abnormally or is missing parts should be removed from service immediately. If you suspect that the Transmission Jack was subjected to a shock load (a load that was dropped suddenly, unexpectedly, etc.), immediately discontinue use until it has been checked by a factory authorized service center.



⚠ WARNING

The following safety information is provided as guidelines to help you operate your product under the safest possible conditions. Any tool or piece of equipment can be potentially dangerous to use when safety or safe handling instructions are not known or not followed. The following safety instructions are to provide the user with the information necessary for safe use and operation. Please read and retain these instructions for the continued safe use of your product. Failure to follow instructions listed below may result in serious injury. In addition, make certain that anyone who uses the product understands and follows these safety instructions as well.

Explanation of Safety Signal Words

⚠ WARNING: Indicates a potentially hazardous situation which, if not avoided, could result in death or serious injury.

⚠ CAUTION: Indicates a potentially hazardous situation which, if not avoided, may result in minor or moderate injury.

CAUTION: Used without the safety alert symbol indicates a potentially hazardous situation which, if not avoided, may result in property damage.

NOTES: Provide clarity and helpful information.

Thank you very much for choosing an OEMTOOLS™ Product!

For future reference, please register your new tool at www.oem-tools.com and complete the owner's record below:

Model: _____ Purchase Date: _____

Save the receipt, warranty and these instructions. It is important that you read the entire manual to become familiar with this product before you begin using it. This product is designed for certain applications only. OEMTOOLS™ cannot be responsible for issues arising from modification. We strongly recommend this product is not modified and/or used for any application other than that for which it was designed. If you have any questions relative to a particular application, DO NOT use the product until you have first contacted customer service to determine if it can or should be performed on the product.



1,000 LB. TELESCOPIC TRANSMISSION JACK

IMPORTANT INSTRUCTIONS AND SAFETY RULES

1. Know your tool. Read this manual carefully. Learn the tool's applications and limitations, as well as potential hazards specific to it.
2. Keep work area clean and well lit. Cluttered or dark work areas invite accidents.
3. Keep children away. All children should be kept away from the work area. Never let a child handle a tool without strict adult supervision.
4. DO NOT operate this tool if under the influence of alcohol or drugs. Read warning labels on prescriptions to determine if your judgment or reflexes are impaired while taking drugs. If there is any doubt, DO NOT attempt to operate.
5. Use safety equipment. Eye protection should be worn at all times when operating this tool. Use ANSI approved safety glasses. Everyday eyeglasses are NOT safety glasses. Dust mask, non-skid safety shoes, hard hat or hearing protection should be used in appropriate conditions.
6. Wear proper apparel. Loose clothing, gloves, neck-ties, rings, bracelets or other jewelry may present a potential hazard when operating this tool. Keep all apparel clear of the tool.
7. DO NOT overreach. Keep proper footing and balance at all times when operating this tool.
8. Check for damage. Check your tool regularly. If part of the tool is damaged, it should be carefully inspected to make sure that it can perform its intended function correctly. If in doubt, the part should be repaired. Refer all servicing to a qualified technician. Consult your dealer for advice.
9. Keep away from flammables. DO NOT attempt to operate this tool near flammable materials or combustibles. Failure to comply may cause serious injury or death.
10. Store idle tools out of the reach of children and untrained persons. Tools may be dangerous in the hands of untrained users.
11. Maintain tools with care.
12. Keep tools dry and clean.
13. DO NOT use a damaged tool. Tag damaged tools "DO NOT USE" until repaired.
14. Check for misalignment or binding of moving parts, breakage of parts, and any other condition that may affect the tool's operation.
15. Use only accessories that are recommended by the manufacturer for your model. Accessories that may be suitable for one tool may become hazardous when used on another tool.
16. If damaged, have the tool serviced before using. Many accidents are caused by poorly maintained tools.
17. Tool service must be performed only by qualified repair personnel. Service or maintenance performed by unqualified personnel could result in a risk of injury.
18. When servicing a tool, use only identical replacement parts. Use of unauthorized parts or failure to follow maintenance instructions may create a risk of injury.
19. Maintain a safe working environment. Keep the work area well lit. Make sure there is adequate surrounding workspace. Keep the work area free of obstructions, grease, oil, trash, and other debris. DO NOT use this product in a damp or wet location.
20. Maintain labels and nameplates on this product. These carry important information. If unreadable or missing, contact OEMTOOLS™ for a replacement.
21. Avoid accidental fire and/or explosion. DO NOT smoke near product. DO NOT smoke near engine fuel and battery components.
22. Before use, read and understand all warnings, safety precautions, and instructions as outlined in the vehicle manufacturer's service manual. It is beyond the scope of this manual to properly describe the correct procedure and test data for each vehicle.
23. Always perform vehicle service in a properly ventilated area. Never run an engine without proper ventilation for its exhaust. Stop work and take necessary steps to improve ventilation in the work area if you develop momentary eye, nose, or throat irritation as this indicates inadequate ventilation.
24. Engine parts that are in motion and unexpected movement of a vehicle can injure or kill. When working near moving engine parts, wear snug fit clothing and keep hands and fingers away from moving parts. Keep hoses and tools clear of moving parts. Always stay clear of moving engine parts. Hoses and tools can be thrown through the air if not kept clear of moving engine parts.
25. The unexpected movement of a vehicle can injure or kill. When working on vehicles, always set the parking brake and chock the wheels.
26. For safety purposes and the prevention of damage to expensive components, it is advised that the user have an understanding of basic automotive repair and a working knowledge of automotive systems.
27. This equipment is intended only for professional use by personnel trained in performing the service functions for which it is has been designed.
28. This equipment is designed for servicing a variety of vehicles in a safe, convenient manner. However, differences in vehicle makes and models may make it impossible to use this equipment as it is intended. DO NOT attempt to force the use of this equipment on an application for which it is not designed to perform.
29. The procedures documented in this manual are to serve as guidelines for the use of this equipment.



1,000 LB. TELESCOPIC TRANSMISSION JACK

- 30. In addition to these guidelines, always follow the manufacturer's recommended procedures when servicing each unique vehicle.
- 31. The use of this equipment is simple and straightforward if you follow the instructions. When operating this equipment, use common sense, and always stop to think before using this tool.
- 32. We believe the information contained herein to be reliable. However, general technical information is given by us without charge and the user shall employ such information at their own discretion and risk. We assume no responsibility for results or damages incurred from the use of such information in whole or in part. Always refer to specific instructions and technical information supplied by vehicle manufacturer.

NOTE: The manufacturer declines any and all responsibility for damage to vehicles or components if said damage is the result of unskillful handling by the operator or of failure to observe the basic safety rules set forth in the instruction manual.

⚠ WARNING: Read Rules for Safe Operation and Instructions carefully.

IMPORTANT SAFETY INSTRUCTIONS

The warnings, precautions, and instructions discussed in this manual cannot cover all possible conditions and situations that may occur. The operator must understand that common sense and caution are factors which cannot be built into this product but must be supplied by the operator.

PURPOSE

The OEMTOOLS™ 24840 Transmission Jack is designed to be used as an aid in the removal and installation of automotive and light truck transmissions, transfer cases and transaxles. This telescopic style transmission jack is for use under an overhead lift or in a garage pit.

PRODUCT SPECIFICATIONS

Rated Load:	1000 Lbs.
Min Height of Saddle:	51"
Max Height of Saddle:	70"
Net Weight of Jack:	63 Lbs.
Dimensions:	51" x 21" x 21"

⚠ WARNING: NEVER use for any purpose other than those uses outlined above!

⚠ TRANSMISSION JACK SPECIFIC INSTRUCTIONS

1. Verify that the product and application are compatible; if in doubt, call OEMTOOLS™ at 1-866-458-2472.
2. Before using this product, read the operator's manual completely and familiarize yourself thoroughly with the product and its components, and recognize the hazards associated with its use.
3. Wear appropriate safety gear during use, including heavy-duty work gloves and ANSI-approved safety goggles.
4. Ensure that the jack rolls freely. Raise and lower the unloaded jack throughout the lifting range before putting into service to ensure the pump operates smoothly. Replace worn or damaged parts.
5. DO NOT exceed the weight capacity of the jack. Make sure weight is evenly distributed. Be aware of dynamic loading! Sudden load movement may briefly create excess load causing product failure. Exceeding the maximum capacity for this product is dangerous and can lead to serious injury or property damage.
6. Never use this device as a work/repair station. Transfer the load immediately to a suitable work station.
7. Always evaluate your task before using this jack. This jack is designed to support a transmission or a differential as individual components. Use as intended only.
8. Assemblies such as differential with axle, or transmission with bell housing, can be bulky and difficult to balance. Lifting or supporting such assemblies, even within weight limit, can create an off-balance situation, causing jack to tip over and MAY lead to serious personal injury or property damage.
9. The load should be evenly distributed on the jack, and should not extend beyond the area of the caster wheelbase. Always use the chain to secure the load. If extra support is required, safety straps (not included) can also be used to secure the work piece.
10. Use only on a hard, level and flat surface capable of bearing the combined weight of the Transmission Jack, the load being lifted, the operator and any tools being used.
11. If the loaded jack must be moved, make certain that the load is secured by appropriate means, is stable, is in the lowest possible position, is moved over a smooth, hard level surface and that the lifting platform is level.
12. If you are working and the load becomes off-balance and/or the jack begins to tip over, DO NOT ATTEMPT TO CATCH OR LIFT THE LOAD WHEN FALLING. SERIOUS PERSONAL INJURY CAN RESULT! In this event, clear the area as quickly and safely as possible in order to avoid injury from the falling load, including getting hit with flying fragments.



1,000 LB. TELESCOPIC TRANSMISSION JACK

13. Before each use, inspect the general condition of the Transmission Jack. Check for oil leaks, jack operation, loose components, free rotation and pivoting of saddle adjustment components. If a problem occurs, have the problem corrected before further use.

! TO PREVENT SERIOUS INJURY: DO NOT USE A DAMAGED OR MALFUNCTIONING JACK

14. Make sure the casters are blocked before use.
15. The Transmission Jack is not designed to lift or lower a vehicle.
16. If in doubt about the safety of your project, we advise you to have the work done by a professional familiar with applicable safety practices.

ASSEMBLY



1. Attach both Legs to Support Post using (2) M10 x 100 mm Bolts, (4) M10 Washers and M10 x 1.5 mm Lock Nuts, inserting Bolts through upper holes in Legs and through Support Post, making sure lower holes in Legs align with lower holes in Support Post. Do not fully tighten.
2. Install (4) M10 x 25 mm Bolts, (8) M10 Washers, and (4) M10 x 1.5 mm Lock Nuts through lower holes in each Leg. DO NOT fully tighten.
3. Lay assembly on its side and attach (4) Casters using (4) M12 Lock Nuts. Securely tighten.
4. Stand unit up. Ensure Support Post is perpendicular to the Legs, and then fully tighten all 6 Leg Bolts and Nuts.
5. Attach Ram to Support Post using (4) M12x30 mm Bolts, (8) M12 Washers and (4) M12 Lock Nuts.
6. Attach Transmission Adapter to Ram and tighten Clamp Bolt. DO NOT overtighten.
7. Attach Slides, Safety Blocks and Chains and adjust as necessary.

OPERATION

1. Follow the instruction for removal and installation of transmission, transfer case or transaxle according to the vehicle manufacturer's service manual.
2. Prior to initial use, jack up the Saddle and, using the Release Knob, attempt to lower it. Doing so will familiarize the user with the control functions and jack.
3. Once the vehicle is safely and properly secured, position the Transmission Jack underneath the vehicle.
4. Pump the Handle to raise the jack to contact and bear transmission weight. After making contact with the transmission, make sure it is centered within the brackets on the Saddle Plate. Use Adjustment Knobs to position the Saddle Base.
5. After contact, lift the jack slightly to transfer the weight of the transmission from the vehicle chassis to the Transmission Jack.
6. Remove transmission fasteners, freeing it from the vehicle. Make sure there is nothing to restrict the movement of the transmission.
7. Back transmission away to free from engine.
8. Check the Saddle, making sure it is securely holding and aligned with the transmission and not showing any signs of stress. Carefully lower transmission and Saddle by turning the Release Knob.
9. Secure the Chain tightly over the transmission and safely move the Transmission Jack.
10. After removal, lower the jack to the lowest possible point.
11. To re-mount the transmission, reverse this procedure.

!WARNING: The jack is designed to lift loads only for short periods of time. DO NOT use to suspend a load for more than 30 minutes at a time.

MAINTENANCE

IMPORTANT: Use only good quality hydraulic jack oil. Avoid mixing different types of fluid and NEVER use brake fluid, turbine oil, transmission fluid, motor oil or glycerin. Improper fluid can cause premature failure of the jack and the potential for sudden and immediate loss of load.

ADDING OIL

1. With saddle fully lowered, set jack in its upright, level position. Remove oil filler plug.
2. Fill until oil is level with the oil filler hole, reinstall oil filler plug.

CHANGING OIL

For best performance and longest life, replace the complete fluid supply at least once per year.

1. With saddle fully lowered, remove oil filler plug.
2. Lay the jack on its side and drain the fluid into a suitable container.



1,000 LB. TELESCOPIC TRANSMISSION JACK

NOTE: Dispose of hydraulic fluid in accordance with local regulations.

- Set jack in its level position. Fill until oil is level with the oil filler hole; reinstall oil filler plug.

LUBRICATION

A periodic coating of light lubricating oil to pivot points, axles and hinges will help to prevent rust and assure that casters and pump assemblies move freely.

CLEANING

Periodically check the pump piston and ram for signs of rust or corrosion. Clean as needed and wipe with an oily cloth.

NOTE: Never use sandpaper or abrasive material on these surfaces!

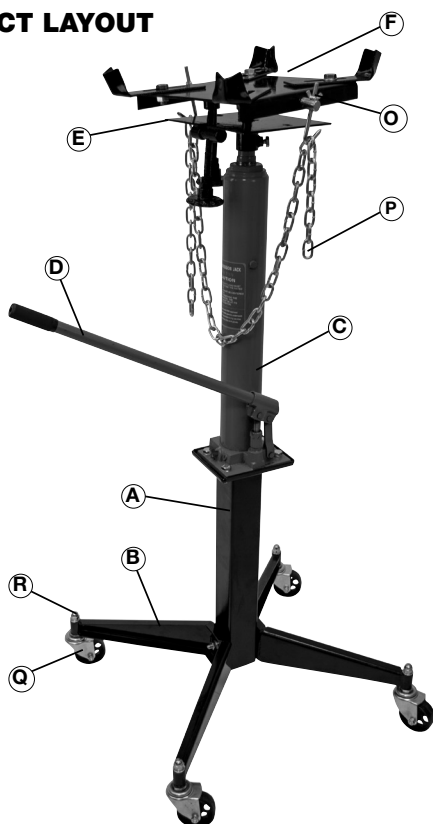
STORAGE

When not in use, store the jack with saddle fully lowered. Always store the jack in a well-protected area where it will not be exposed to inclement weather, corrosive vapors, abrasive dust, or any other harmful elements.

DISPOSAL

At the end of the useful life of the product, dispose of the components according to all state, federal and local regulations.

PRODUCT LAYOUT



NOTE: Not all components of the product are replacement items but are illustrated as a convenient reference for location and position in the assembly sequence.

OEMTOOLS™ and/or its distributors have provided the parts list and assembly diagram as a reference only. Neither OEMTOOLS™ nor its distributors make any representation or warranty of any kind to the buyer and/or user of this tool that he or she is qualified to do any repairs or replace any parts of this product. OEMTOOLS™ and its distributors expressly state that all repairs or parts replacement should be done by certified or licensed technicians. The buyer assumes all risk and liability arising out of his or her repairs or parts replacement to the original production.

PARTS DESCRIPTION

Figure	Description	Qty.
A	Support	1
B	Legs	2
C	8 Ton Long Ram	1
D	Handle	1
E	Saddle	4
F	Transmission Adapter	1
G	Bolt M12X30 (Not Shown)	4
H	Washer 12 (Not Shown)	8
I	Nut M12 (Not Shown)	4
J	Bolt M10X35 (Not Shown)	4
K	Washer 10 (Not Shown)	6
L	Nut M10 (Not Shown)	6
M	Bolt M10X25 (Not Shown)	4
N	Bolt M10X15 (Not Shown)	1
O	Hook Bolt M8	1
P	Chain	1
Q	Caster	4
R	Nut M12	4

HARDWARE INCLUDED

Description	Qty.
M10X25 mm Bolt	4
M10X35 mm Bolt	4
M12X25 mm	4
M12 Flat Washer	4
M10 Flat Washer	8
M12 Split Lock Washer	4
M10 Split Lock Washer	4
M12 Nyloc Hex Nut	4
M10 Hex Nut	4
M12 Cap Nut	4



1,000 LB. TELESCOPIC TRANSMISSION JACK

OEMTOOLS™ ONE YEAR WARRANTY

For up to one year from the date of purchase of this OEMTOOLS™ product, if you find any defect in material or workmanship (through normal usage), return it to the place of purchase or to OEMTOOLS™ for repair or replacement at our discretion. In order to obtain this service, send the product and proof of purchase (transportation pre-paid) to:

OEMTOOLS™ Q.A. Dept, 3580 E. Raines Road #3, Memphis, TN 38118.

We will not be responsible for lost or damaged goods during transportation; please insure your package. If our inspection verifies the defect, we will either repair or replace the product, or we may elect to refund the purchase price if we cannot readily and quickly provide you with a replacement. We will return repaired products at our expense, but if we determine there is no defect, or that the defect resulted from causes not within the scope of our warranty, then you must bear the cost of returning the product.

OEMTOOLS™ does not provide warranty for products labeled other than OEM® or OEMTOOLS™. OEMTOOLS™ will not provide any warranty for products subjected to abnormal use. Abnormal use includes (but is not limited to) abuse, accident, alteration, neglect, and unauthorized or unreasonable use or repairs. This warranty does not cover bits, blades, files, batteries, or calibration. We recommend that you maintain your tools and sharpen or replace blades, bits, files, and batteries as necessary. OEMTOOLS™ reserves the right to make any changes in construction or design at any time without any obligation in incorporating such changes to tools or equipment previously sold. OEMTOOLS™ makes every effort to ensure that its products meet high quality and durability standards, and warrants to the original purchaser that this product is free from defects in materials and workmanship for the period of one year from the date of purchase. This warranty does not apply to damage due directly or indirectly to misuse, abuse, negligence or accidents, repairs or alterations outside our facilities, criminal activity, improper installation, normal wear and tear, or to lack of maintenance.

We shall in no event be liable for death, injuries to persons or property, or for incidental, contingent, special or consequential damages arising from the use of our product. Some states do not allow the exclusion or limitation of incidental or consequential damages, so the above limitation of exclusion may not apply to you. THIS WARRANTY IS EXPRESSLY IN LIEU OF ALL OTHER WARRANTIES, EXPRESS OR IMPLIED, INCLUDING THE WARRANTIES OF MERCHANTABILITY AND FITNESS. This warranty gives you specific legal rights, and you may also have other rights, which vary from state to state.

Don't forget to register your new OEMTOOLS™ product at www.oem-tools.com.

CONTACT US

3580 E. Raines Road, Suite 3, Memphis, TN 38118
Tel: 1-866-458-2472
www.oem-tools.com