

Please read and save these instructions. Read through this owner's manual carefully before using product. Protect yourself and others by observing all safety information, warnings, and cautions. Failure to comply with instructions could result in personal injury and/or damage to product or property. Please retain instructions for future reference.



## 20 GALLON (75L) MOBILE PARTS WASHER

### FOR CUSTOMER SERVICE

Technical Question?

**CALL 1-866-458-2472**  
customerservice@oem-tools.com

### UNPACKING

After unpacking the OEMTOOLS™ 20 Gallon (75L) Mobile Parts Washer, inspect carefully for any damage that may have occurred during transit. Check for loose, missing, or damaged parts. If any damage is observed, a shipping damage claim must be filed with carrier. DO NOT use Parts Washer if broken, bent, cracked or damaged parts (including labels) are noted. Any Parts Washer that appears damaged in any way, operates abnormally or is missing parts should be removed from service immediately. If you suspect that the Parts Washer was subjected to a shock load (a load that was dropped suddenly, unexpectedly, etc.), immediately discontinue use until it has been checked by a factory authorized service center.



### **⚠ WARNING**

The following safety information is provided as a guideline to help you operate your product under the safest possible conditions. Any tool or piece of equipment can be potentially dangerous to use when safety or safe handling instructions are not known or not followed. The following safety instructions are to provide the user with the information necessary for safe use and operation. Please read and retain these instructions for the continued safe use of your product. Failure to follow instructions listed below may result in serious injury. In addition, make certain that anyone who uses the equipment understands and follows these safety instructions as well.

### Explanation of Safety Signal Words

**⚠ WARNING:** Indicates a potentially hazardous situation which, if not avoided, could result in death or serious injury.

**⚠ CAUTION:** Indicates a potentially hazardous situation which, if not avoided, may result in minor or moderate injury.

**CAUTION:** Used without the safety alert symbol indicates a potentially hazardous situation which, if not avoided, may result in property damage.

**NOTES:** Provide clarity and helpful information.

Thank you very much for choosing an OEMTOOLS™ Product!

For future reference, please register your new tool at [www.oem-tools.com](http://www.oem-tools.com) and complete the owner's record below:

**Model:** \_\_\_\_\_ **Purchase Date:** \_\_\_\_\_

Save the receipt, warranty and these instructions. It is important that you read the entire manual to become familiar with this product before you begin using it. This product is designed for certain applications only. OEMTOOLS™ cannot be responsible for issues arising from modification. We strongly recommend this product is not modified and/or used for any application other than that for which it was designed. If you have any questions relative to a particular application, DO NOT use the product until you have first contacted customer service to determine if it can or should be performed on the product.



## 20 GALLON (75L) MOBILE PARTS WASHER

### **⚠ IMPORTANT INSTRUCTIONS AND SAFETY RULES**

1. Know your product. Read this manual carefully. Learn the product's applications and limitations as well as potential hazards specific to it.
2. Keep work area clean and well lit. Cluttered or dark work areas invite accidents.
3. Keep children away. All children should be kept away from the work area. Never let a child handle this product without strict adult supervision.
4. DO NOT operate this product if under the influence of alcohol or drugs. Read warning labels on prescriptions to determine if your judgment or reflexes are impaired while taking drugs. If there is any doubt, DO NOT attempt to operate.
5. Use safety equipment. Eye protection should be worn at all times when operating this product. Use ANSI approved safety glasses. Everyday eyeglasses are NOT safety glasses. Dust mask, non-skid safety shoes, hard hat or hearing protection should be used in appropriate conditions.
6. Wear proper apparel. Loose clothing, gloves, neck-ties, rings, bracelets or other jewelry may present a potential hazard when operating this product. Keep all apparel clear of the product.
7. DO NOT overreach. Keep proper footing and balance at all times when operating this product.
8. Check for damage. Check your product regularly. If part of the product is damaged, it should be carefully inspected to make sure that it can perform its intended function correctly. If in doubt, the part should be repaired. Refer all servicing to a qualified technician. Consult your dealer for advice.
9. Keep away from flammables. DO NOT attempt to operate this product near flammable materials or combustibles. Failure to comply may cause serious injury or death.
10. Store idle product out of the reach of children and untrained persons. This product may be dangerous in the hands of untrained users.
11. Maintain product with care.
12. Keep product dry and clean.
13. DO NOT use a damaged product. Tag damaged products "DO NOT USE" until repaired.
14. Check for misalignment or binding of moving parts, breakage of parts, and any other condition that may affect the product's operation.
15. Use only accessories that are recommended by the manufacturer for your model. Accessories that may be suitable for one product may become hazardous when used on another product.
16. If damaged, have the product serviced before using. Many accidents are caused by poorly maintained products.
17. Product service must be performed only by qualified repair personnel. Service or maintenance performed by unqualified personnel could result in a risk of injury.
18. When servicing a product, use only identical replacement parts. Use of unauthorized parts or failure to follow maintenance instructions may create a risk of injury.
19. Maintain a safe working environment. Keep the work area well lit. Make sure there is adequate surrounding workspace. Keep the work area free of obstructions, grease, oil, trash, and other debris. DO NOT use this product in a damp or wet location.
20. Maintain labels and nameplates on this product. These carry important information. If unreadable or missing, contact OEMTOOLS™ for a replacement.
21. Avoid accidental fire and/or explosion. DO NOT smoke near engine fuel and battery components.
22. We believe the information contained herein to be reliable. However, general technical information is given by us without charge and the user shall employ such information at their own discretion and risk. We assume no responsibility for results or damages incurred from the use of such information in whole or in part.

### **SPECIFIC SAFETY INSTRUCTIONS & WARNINGS**

1. Ground all tools. If the tool is equipped with three-pin plug, it should be plugged into a three-pin electrical socket. Never remove the ground pin. Failure to properly ground unit could result in severe electrical shock and / or death.
2. DO NOT abuse cord. Never use the cord to carry tools or pull the plug from an outlet. Keep cord away from heat, sharp edges or moving parts. Replace damaged cords immediately. Damaged cords increase the risk of electric shock.
3. Always disconnect the tool from power source before making any adjustments, storing, servicing, or changing accessories. Such preventative safety measures reduce the risk of starting the tool accidentally.
4. DO NOT use the tool if the switch does not turn it on and off. Any tool that cannot be controlled with the switch is dangerous and must be repaired.

**NOTE:** The manufacturer declines any and all responsibility for damage to vehicles or components if said damage is the result of unskillful handling by the operator or of failure to observe the basic safety rules set forth in the instruction manual.

### **⚠ WARNING**

Carefully read Rules for Safe Operation and Instructions.

### **IMPORTANT SAFETY INSTRUCTIONS**

The warnings, precautions, and instructions discussed in this manual cannot cover all possible conditions and situations that may occur. The operator must understand that common sense and caution are factors which cannot be built into this product but must be supplied by the operator.

### **POWER SOURCE CONNECTION**

#### **POWER REQUIREMENTS**

This product is designed to operate on a properly grounded 120 volt, 60Hz, single-phase alternating current (AC) power source fused with a 20 amp time delayed fuse or circuit breaker. It is recommended that a qualified electrician verify the ACTUAL VOLTAGE at the receptacle into which the product will be plugged and confirm that the receptacle is properly fused and grounded.



## 20 GALLON (75L) MOBILE PARTS WASHER

### ▲WARNING

DO NOT OPERATE THIS PRODUCT if the ACTUAL power source voltage is less than 105 volts AC or greater than 132 volts AC. Contact a qualified electrician if this problem exists. Improper performance and/ or damage to the product will result if operated on inadequate or excessive power.

### CONNECT TO POWER SOURCE

#### ▲WARNING

High voltage danger from power source!

Consult a qualified electrician for proper installation of receptacle at the power source.

This product must be grounded while in use to protect the operator from electrical shock. If you are not sure if your outlet is properly grounded, have it checked by a qualified electrician. DO NOT cut off the grounding prong or alter the plug in any way and DO NOT use any adapters between the product's power cord and the power source receptacle. Make sure the POWER switch is OFF then connect the power cord to a properly grounded 120V, 60Hz, single phase, 20 amp power source.

### EXTENSION CORDS

For optimum performance, an extension cord should not be used unless absolutely necessary. If necessary, care must be taken in selecting an extension cord appropriate for use with your specific product. Select a properly grounded extension cord that will mate directly with the power source receptacle and the power cord without the use of adapters. Make certain that the extension is properly wired and in good electrical condition. Extension cords must be a minimum #12 gauge cord. DO NOT use an extension cord over 25 ft. (7.6 m) in length.

### ASSEMBLY

#### LOWER SHELF

1. Locate the two Handles (4) and the Lower Shelf (13).
2. Align the holes in the bottom of the Handles with the four holes in the corners of the Lower Shelf.
3. Place Flat Washer (3) onto Bolt (2) and insert Bolt through Handle and Lower Shelf.
4. Place Flat Washer (3) and Lock Nut (7) onto end of Bolt and hand tighten.
5. Repeat steps 3-4 for remaining holes in Lower Shelf.

**NOTE:** DO NOT fully tighten nuts at this time.

#### MIDDLE (PARTS DRYER) SHELF

1. Locate the Middle Shelf (12) and the Tank Drain (14).
2. Insert the Tank Drain into the slots located in the bottom of Middle Shelf.
3. Align the holes in the 4 corners of the Middle Shelf with the holes in the middle of the Handles.
4. Place Flat Washer onto Bolt and insert Bolt through Handle and Middle Shelf.
5. Place Flat Washer and Lock Nut onto end of Bolt and hand tighten.
6. Repeat steps 4-5 for remaining holes in Middle Shelf.

**NOTE:** DO NOT fully tighten nuts at this time.

### TANK MOUNTS

1. Locate the Left Tank Mount (6) and Right Tank Mount (25).

**NOTE:** Right Tank Mount has hooks for electrical cord storage.

2. Align the holes in the Left Tank Mount with the uppermost holes in either Handle.
3. Place Flat Washer into Bolt and insert Bolt through Handle and Left Tank Mount.
4. Place Flat Washer and Lock Nut onto end of Bolt and hand tighten.
5. Repeat steps 3-4 for remaining hole in Left Tank Mount.
6. Align the holes in the Right Tank Mount with the holes in the remaining Handle. Hooks on Right Tank Mount should be facing AWAY from center on unit.
7. Follow steps 3-5 to install Right Tank Mount.

**NOTE:** DO NOT fully tighten butts at this time.

### TANK

**NOTE:** You may need a second person to help properly align the Tank to the Tank Mounts.

1. Place Flat Washer onto Short Bolt (11) and insert through hole in Tank Mount.
2. Place Adjusting Washer onto Short Bolt.
3. Slide the end of the Short Bolt through the hole in the mounting bracket on Tank (8) bottom.
4. Place Flat Washer and Lock Nut onto end of Short Bolt and hand tighten.
5. Repeat steps 1-4 for remaining seven holes in Tank Mounts.

**NOTE:** The Power Switch is on the right side of the Tank and should be positioned above the RIGHT Tank Mount.

### TIGHTENING THE HARDWARE

1. At this time, fully tighten all of the Lock Nuts onto the bolts which were installed in the previous section.

### MOUNTING THE PUMP

1. Align the slots on the rear of the Pump Housing (31) with the tabs on the inner right side of the Tank.
2. Carefully slide the Pump Housing slots onto the tabs of the Tank.
3. Lower Pump Housing until it is resting on the Tank bottom.

### WASHBOARD

1. Position the Washboard (5) so that the lipped edges are facing down and the rectangular cutout is on the right side.
2. Place your index fingers through the holes located at the front left and right rear of the Washboard.
3. Align the lipped edges of the Washboard with the mounting brackets on the inner Tank walls and gently lower into place.



## 20 GALLON (75L) MOBILE PARTS WASHER

### CASTORS

1. Locate the four castors (1) and the four Spring Washers (39).
2. Place a Spring Washer onto the threaded end of Castor.
3. Insert Castor threads into hole on the bottom of the Handle.
4. Tighten Castor in place with wrench.
5. Repeat steps 2-4 for the remaining Castors.

**NOTE:** Two Castors have locks – these should be installed side by side, to allow you to control movement of the Parts Washer.

### WHEN INSTALLING YOUR PARTS WASHER

1. Sit it on a firm, flat, level surface in a well ventilated area and away from any open flames.
2. Fill only with a non-flammable water-based degreaser or cleaning agent to just below the level of the parts shelf (approximately 12 gallons or 45L).
3. Follow the degreaser manufacturer's instructions carefully.
4. DO NOT fill with flammable solvents such as kerosene, gasoline, etc.

### WHEN USING YOUR PARTS WASHER

1. Wear suitable protective clothing, gloves and goggles.
2. Clean off any accidental splashes of degreaser on skin immediately, following the degreaser manufacturer's instructions carefully. Seek medical attention if necessary.
3. Keep work area tidy and mop up any accidental spills of degreaser.

### WHEN NOT IN USE

1. Switch off pump, close the lid and disconnect from the electrical supply.
2. Disconnect from the electrical supply before carrying out any maintenance or cleaning on the parts washer.

**▲WARNING:** The pump of your parts washer may be damaged if you use solvents like perchloroethylene or trichloroethylene.

### ELECTRICAL CONNECTIONS

Plug into a standard 120 volt grounded plug.

**▲WARNING:** This appliance must be grounded.

### PRODUCT SPECIFICATIONS

<b>Maximum Capacity:</b>	20 Gallons (75L)
<b>Working Capacity:</b>	12 Gallons (45L)
<b>Assembled Dimensions:</b>	38" x 21.5" x 37" (96.5 x 54.6 x 94 cm)
<b>Weight:</b>	82 Lbs. (37 kg)

### OPERATION

**NOTE:** Always wear protective clothing, gloves and goggles when using your Parts Washer.

1. Open the Parts Washer lid and place parts to be washed on the parts shelf.
2. Position the flexible nozzle so that it is directly above your parts.
3. Turn the power switch to the ON position.
4. Clean parts as needed.
5. Turn power switch to the OFF position.
6. Keep work area tidy and mop up any accidental spills of degreaser.

### ▲WARNING

Clean off any accidental splashes of degreaser on skin immediately, following the degreaser manufacturer's instructions carefully. Seek medical attention if necessary.

### MAINTENANCE

1. The lid incorporates a fusible link to close the lid in the event of a fire. This link is non-resetting and must be replaced once it has been triggered.

**NOTE:** Fusible link must be intact at all times.

2. Make sure the holes in the removable parts shelf are free of debris.
3. DO NOT allow the level of liquid in the parts washer to fall below the pump inlet, as damage to the pump can result.
4. Change degreaser as needed.

### TROUBLESHOOTING

If you experience reduced volume flow or no flow of cleaning liquid from the flex hose nozzle, probable causes may be:

1. Foreign matter in the flex hose.
2. Low fluid level (not reaching the pump inlet).
3. Blocked/dirty filter.
4. Air in the pump. You can turn on and turn off the parts washer for several times or knock on the pump housing for several times to fix this problem.

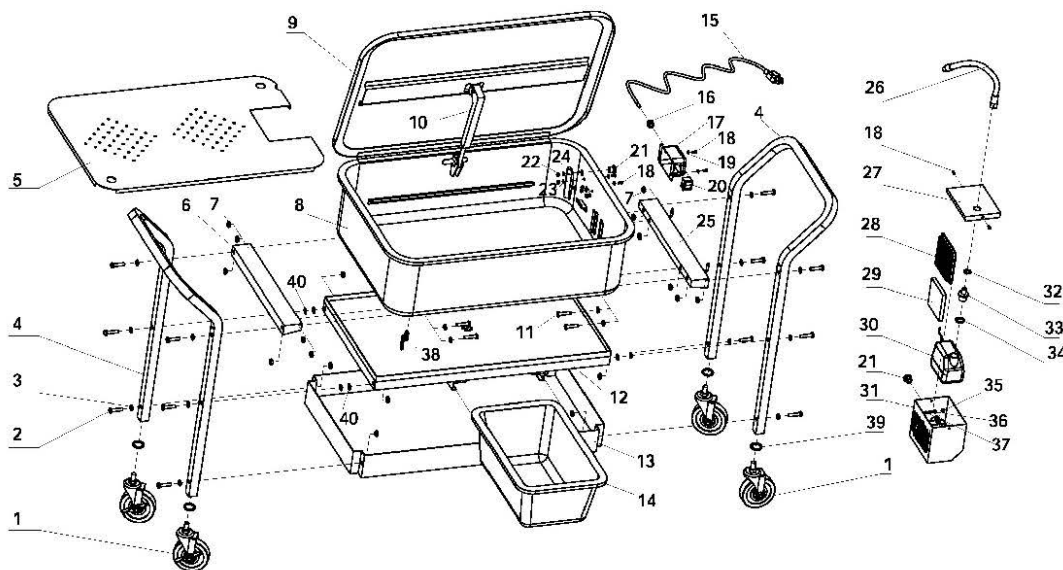
### DISPOSAL

At the end of the useful life of the product, dispose of the components according to all state, federal and local regulations.



# 20 GALLON (75L) MOBILE PARTS WASHER

## PRODUCT LAYOUT



## PARTS LIST

Figure	Description	Qty.	Figure	Description	Qty.	Figure	Description	Qty.
1	Castor	4	15	Power Cord	1	29	Filter Screen	1
2	Bolt	12	16	Cable Clamp	1	30	Pump Assembly	1
3	Flat Washer	32	17	Switch Box	1	31	Pump Housing	1
4	Handle	2	18	Screw	7	32	Grommet	1
5	Washboard	1	19	Flat Washer M4	7	33	Spigot	1
6	Left Tank Mount	1	20	Power Switch	1	34	Grommet	1
7	Lock Nut	16	21	Cable Guard	2	35	Hex Nut M5	1
8	Tank	1	22	Hex Nut M4	5	36	Flat Washer	1
9	Tank Lid	1	23	Spring Washer	5	37	Screw M5 x 20	1
10	Fusible Link	1	24	Wire Flange	1	38	Drain Plug	1
11	Short Bolt	8	25	Right Tank Mount	1	39	Spring Washer	4
12	Middle Shelf	1	26	Flexible Nozzle	1	40	Adjusting Washer	8
13	Lower Shelf	1	27	Pump Housing Cover	1			
14	Drain Tank	1	28	Filter Cover	1			

**NOTE:** Not all components of the product are replacement items but are illustrated as a convenient reference for location and position in the assembly sequence.

OEMTOOLS™ and/or its distributors have provided the parts list and assembly diagram as a reference only. Neither OEMTOOLS™ nor its distributors make any representation

or warranty of any kind to the buyer and/or user of this tool that he or she is qualified to do any repairs or replace any parts of this product. OEMTOOLS™ and its distributors expressly state that all repairs or parts replacement should be done by certified or licensed technicians. The buyer assumes all risk and liability arising out of his or her repairs or parts replacement to the original production.







## 20 GALLON (75L) MOBILE PARTS WASHER

### OEMTOOLS™ LIMITED 90 DAY WARRANTY

For 90 days from the original purchase of this product, OEMTOOLS™ will warranty this item. If you find any defect in material or workmanship, through normal usage, return it to the place of purchase or to OEMTOOLS™ for repair or replacement at our discretion. In order to obtain this service, send your tool and proof of purchase, transportation pre-paid, to OEMTOOLS™ Q.A. Dept., 3580 E. Raines Road #3, Memphis, TN 38118. We will not be responsible for lost or damaged goods during transportation; please insure your package. If our inspection verifies the defect, we will either repair or replace the product, or we may elect to refund the purchase price if we cannot readily and quickly provide you with a replacement. We will return repaired products at our expense, but if we determine there is no defect, or that the defect resulted from causes not within the scope of our warranty, then you must bear the cost of returning the product.

OEMTOOLS™ does not provide warranty for products labeled other than OEM® or OEMTOOLS™. OEMTOOLS™ will not provide any warranty for products subjected to abnormal use. Abnormal use includes, but is not limited to, abuse, accident, alteration, neglect, and unauthorized or unreasonable use or repairs. This warranty does not cover bits, blades, files, batteries, or calibration. We recommend that you maintain your tools and sharpen or replace blades, bits, files, and batteries as necessary. OEMTOOLS™ reserves the right to make any changes in construction or design at any time without any obligation in incorporating such changes to tools or equipment previously sold.

OEMTOOLS™ makes every effort to ensure that its products meet high quality and durability standards, and warrants to the original purchaser that this product is free from defects in materials and workmanship for the period of 90 days from the date of purchase. This warranty does not apply to damage due directly or indirectly to misuse, abuse, negligence or accidents, repairs or alterations outside our facilities, criminal activity, improper installation, normal wear and tear, or to lack of maintenance.

We shall in no event be liable for death, injuries to persons or property, or for incidental, contingent, special or consequential damages arising from the use of our product. Some states do not allow the exclusion or limitation of incidental or consequential damages, so the above limitation of exclusion may not apply to you. THIS WARRANTY IS EXPRESSLY IN LIEU OF ALL OTHER WARRANTIES, EXPRESS OR IMPLIED, INCLUDING THE WARRANTIES OF MERCHANTABILITY AND FITNESS. This warranty gives you specific legal rights, and you may also have other rights, which vary from state to state.

## CONTACT US

3580 E. Raines Road, Suite 3, Memphis, TN 38118  
Tel: 1-866-458-2472  
[www.oem-tools.com](http://www.oem-tools.com)