

Please read and save these instructions. Read through this owner's manual carefully before using product. Protect yourself and others by observing all safety information, warnings, and cautions. Failure to comply with instructions could result in personal injury and/or damage to product or property. Please retain instructions for future reference.



## 36" 3-DRAWER SLIDE TOP CART

### FOR CUSTOMER SERVICE

Technical Question?

**CALL 1-866-458-2472**  
**customerservice@oem-tools.com**

### UNPACKING

After unpacking the unit, inspect carefully for any damage that may have occurred during transit. Check for loose, missing, or damaged parts. If any damage is observed, a shipping damage claim must be filed with the carrier. DO NOT use the OEMTOOLS® 3-Drawer Slide Top Cart if broken, bent, cracked or damaged parts (including labels) are noted. Any Cart that appears damaged in any way, operates abnormally, or is missing parts should be removed from service immediately. If you suspect that the Cart was subjected to shock load (a load that was dropped suddenly, unexpectedly, etc.), immediately discontinue use until it has been checked by a factory authorized service center.



24730 Blue  
 24731 Green  
 24732 Black

### **⚠ WARNING**

The following safety information is provided as a guideline to help you operate your Cart under the safest possible conditions. Any tool or piece of equipment can be potentially dangerous to use when safety or safe handling instructions are not known or not followed. The following safety instructions are to provide the user with the information necessary for safe use and operation. Please read and retain these instructions for the continued safe use of your Cart. Failure to follow instructions listed below may result in serious injury. In addition, make sure that anyone who uses the equipment understands and follows these safety instructions as well.

### Explanation of Safety Signal Words

**⚠ WARNING:** Indicates a potentially hazardous situation which, if not avoided, could result in death or serious injury.

**⚠ CAUTION:** Indicates a potentially hazardous situation which, if not avoided, may result in minor or moderate injury.

**CAUTION:** Used without the safety alert symbol indicates a potentially hazardous situation which, if not avoided, may result in property damage.

**NOTES:** Provide clarity and helpful information.

Thank you very much for choosing an OEMTOOLS® Product!

For future reference, please register your new tool at [www.oem-tools.com](http://www.oem-tools.com) and complete the owner's record below:

**Model:** \_\_\_\_\_ **Purchase Date:** \_\_\_\_\_

Save the receipt, warranty and these instructions. It is important that you read the entire manual to become familiar with this product before you begin using it. This product is designed for certain applications only. OEMTOOLS® cannot be responsible for issues arising from modification. We strongly recommend that this product is not modified and/or used for any application other than that for which it was designed. If you have any questions relative to a particular application, DO NOT use the product until you have first contacted customer service to determine if it can or should be performed on the product.

# OEMTOOLS® 36" 3-DRAWER SLIDE TOP CART

## ⚠ IMPORTANT INSTRUCTIONS AND SAFETY RULES

1. Know your product. Read this manual carefully. Learn the product's applications and limitations, as well as potential hazards specific to it.
2. Maintain labels and nameplates on this product. These carry important information. If unreadable or missing, contact OEMTOOLS® for a replacement.
3. Keep work area clean and well lit. Cluttered or dark work areas invite accidents.
4. Keep children away. All children should be kept away from the work area. Never let a child handle this product without strict adult supervision.
5. DO NOT operate this product if under the influence of alcohol or drugs. Read warning labels on prescriptions to determine if your judgment or reflexes are impaired while taking drugs. If there is any doubt, DO NOT attempt to operate.
6. Use safety equipment. Eye protection should be worn at all times when operating this product. Use ANSI approved safety glasses. Everyday eyeglasses are NOT safety glasses. Dust mask, non-skid safety shoes, hard hat or hearing protection should be used in appropriate conditions.
7. Wear proper apparel. Loose clothing, gloves, neck-ties, rings, bracelets or other jewelry may present a potential hazard when operating this product. Keep all apparel clear of the product.
8. DO NOT overreach. Keep proper footing and balance at all times when operating this product.
9. Check for damage. Check your product regularly. If part of the product is damaged, it should be carefully inspected to make sure that it can perform its intended function correctly. If in doubt, the part should be repaired. Refer all servicing to a qualified technician. Consult your dealer for advice.
10. Keep away from flammables. DO NOT attempt to operate this product near flammable materials or combustibles. Failure to comply may cause serious injury or death.
11. Store idle product out of the reach of children and untrained persons. This product may be dangerous in the hands of untrained users.
12. Maintain product with care.
13. Keep product dry and clean.
14. DO NOT use a damaged product. Tag damaged products "DO NOT USE" until repaired.
15. Check for misalignment or binding of moving parts, breakage of parts, and any other condition that may affect the product's operation.
16. Use only accessories that are recommended by the manufacturer for your model. Accessories that may be suitable for one product may become hazardous when used on another product.
17. If damaged, have the product serviced before using. Many accidents are caused by poorly maintained products.
18. Product service must be performed only by qualified repair personnel. Service or maintenance performed by unqualified personnel could create a risk of injury.
19. When servicing a product, use only identical replacement parts. Use of unauthorized parts or failure to follow maintenance instructions could create a risk of injury.
20. Maintain a safe working environment. Keep the work area well lit. Make sure there is adequate surrounding workspace. Keep the work area free of obstructions, grease, oil, trash, and other debris. DO NOT use this product in a damp or wet location.

21. Avoid accidental fire and/or explosion. DO NOT smoke near engine fuel and battery components.
22. We believe the information contained herein to be reliable. However, general technical information is given by us without charge and the user shall employ such information at their own discretion and risk. We assume no responsibility for results or damages incurred from the use of such information in whole or in part. Always refer to specific instructions and technical information supplied by vehicle manufacturer.

## PRODUCT DESCRIPTION

The OEMTOOLS 36" 3-Drawer Slide Top Cart is designed to provide mobile, secure tool storage.

PRODUCT	WIDTH	DEPTH	HEIGHT	WEIGHT
24730 / 24731 / 24732 Slide Top Cart	36"	21"	38"	251.3 Lbs.

ID	COLOR
24730	Blue
24731	Black
24732	Green

## 24730 / 24731 / 24732 DRAWER DIMENSIONS AND SLIDE CAPACITY

Drawer Size	Width (In.)	Depth (In.)	Height (In.)	Volume (Cu. In.)	# of Drawers	Total Volume (Cu. In.)	Slide Capacity	Total Weight Capacity
Shallow Drawer	30	18	3	1,620	2	3,240	100 Lbs.	200 Lbs.
Deep Drawer	30	18	6.1	3,294	1	3,294	100 Lbs.	100 Lbs.
<b>Total</b>					<b>3</b>	<b>6,534</b>		<b>300 Lbs.</b>

## SPECIFIC SAFETY INSTRUCTIONS

**⚠ CAUTION:** DO NOT exceed drawer capacity rating (see chart in Drawer Dimensions, Volume and Capacity section).

**⚠ CAUTION:** ALWAYS place heavier tools in the bottom drawers. Overloading the top drawers may cause imbalance.

**⚠ CAUTION:** ALWAYS be cautious when maneuvering tool box through the shop. Large obstructions, cracks in the floor, low ceilings, etc. may cause the tool box to tip, which could lead to property damage and/or personal injury

**⚠ CAUTION:** ALWAYS be cautious of pinch points between the top and bottom unit and between drawers. Never place fingers or extremities in the drawers while the cart is moving. Keep extremities clear of the edges of the drawers, openings, and drawer slides when opening or closing drawers.

**CAUTION:** ALWAYS lock the casters after moving the units.

**⚠ CAUTION:** ALWAYS be cautious when opening drawers and the top lid after periods of storage and/or moving the unit. Tools may shift the drawers and cause unsafe conditions, such as falling tools, pinch points, and jammed drawers.

**⚠ WARNING:** DO NOT allow the power strip to be submerged or come into contact with any water or other fluids.

**⚠ CAUTION:** ALWAYS be cautious of items placed on top of the sliding work surface, as the work surface splits into two separate surfaces. Items left on the connection point may fall into or off of the box, leading to personal injury and/or property damage.



## 36" 3-DRAWER SLIDE TOP CART

**▲CAUTION:** DO NOT overload the sliding worktop. Sliding top is equipped with slides rated to 100 Lbs. While the total capacity of the worktop can withstand up to 800 Lbs., if the sliding top opens, the slides will fail which may lead to property damage and/or personal injury. Ensure the top is locked in the closed position prior to placing any heavy object onto the worktop.

**▲CAUTION:** DO NOT attempt to balance items/tools on the connection point of the box. The force may cause the slide top to separate unexpectedly, leading to personal injury and/or property damage.

### ASSEMBLY INSTRUCTIONS

**CAUTION** Contents are heavy; assistance is recommended with this assembly process.

1. Remove all contents from packaging and locate the assembly hardware.

**NOTE:** All fasteners are the same size.

2. If unlocked, open the sliding top and flip the internal lever to the lock position to lock the drawers closed. Use the key to lock the top compartment closed.
3. Set the Cart Top onto a protected surface. A short side should be facing up; the uprights and handle must be assembled in the same process.
4. Place the first upright on one edge of the cart. The holes on the uprights will only fit in one orientation. If the holes do not line up, flip the upright 180° and re-assess.
5. Tighten the front fasteners until finger tight, allowing the upright to shift.
6. Repeat steps 4 and 5 for the second upright. Then use a ratchet or wrench to tighten the hardware completely.
7. With assistance, flip the cart to the opposite short side and follow steps 4-6. Align the holes on the short side of the cart, and tighten all hardware until finger tight.
8. Install the casters onto the bottom tray. The locking casters must be installed on the same side of the tray and should be installed on the same side as the handle.
9. Fit the tray between the bottom of the 4 uprights and use hardware to fasten into place. It is recommended that all hardware be tightened to finger tightness before tightening completely.
10. With assistance, lift the cart into an upright position. Lock the locking casters.
11. Fit the tray dividers as needed in the provided slots. The flat portion of the divider should be facing down into the tray. DO NOT attempt to force the divider into place. If the divider is upside down, the rolled edge will not allow placement.

### REMOVING THE DRAWERS (Figure 1)

1. Fully extend the empty drawer.
2. While pushing the release lever up on the left side of the drawer, pull down the release lever on the right side of the drawer.

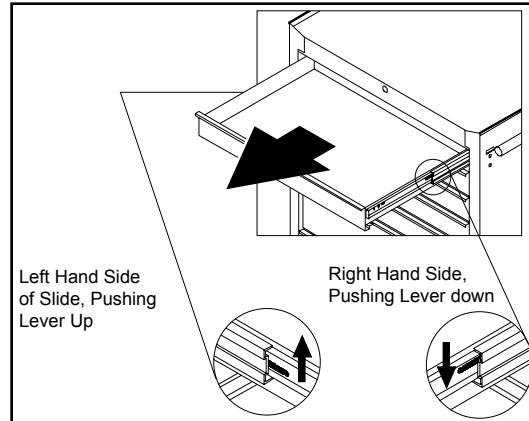


Figure 1

### REINSTALLING THE DRAWERS

1. Fully extend the empty drawer slides.
2. Insert the brackets on each side of the drawer into the slots on the slides, being careful that they are properly positioned.
3. Once inserted, close the drawer completely to set the slides properly.

**NOTE:** DO NOT force the drawers into place; if the drawer gets stuck, remove and reinstall.

### MAINTENANCE

1. Periodically tighten all hardware.
2. Lubricate the drawer slides twice a year.
3. Lubricate the lock with graphite each year.
4. Use a damp microfiber cloth to clean all surfaces.

### DRAWER LOCKING MECHANISM

**CAUTION:** OEMTOOLS® will not cover damage to locking tabs, nor provide replacement drawers. If safety instructions and the locking instructions below are followed, the locking mechanism will remain fully functional. OEMTOOLS® is not responsible for damage caused by user negligence or failure to read and understand the instructions provided in this manual. A drawer will never be difficult to close unless there is an obstruction. If the drawer will not close easily, re-open the drawer and check for obstruction or damaged/worn slides; NEVER slam the drawer shut.

**CAUTION:** DO NOT slam the drawer closed if the tubular lock has been engaged. This may cause damage to the internal locking mechanism.

**NOTE:** It is recommended that you unlock the tubular lock before attempting to close any open drawers; however, if you press the drawer in, the drawer will lock. (Figure 2)

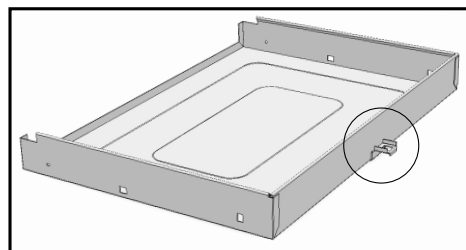
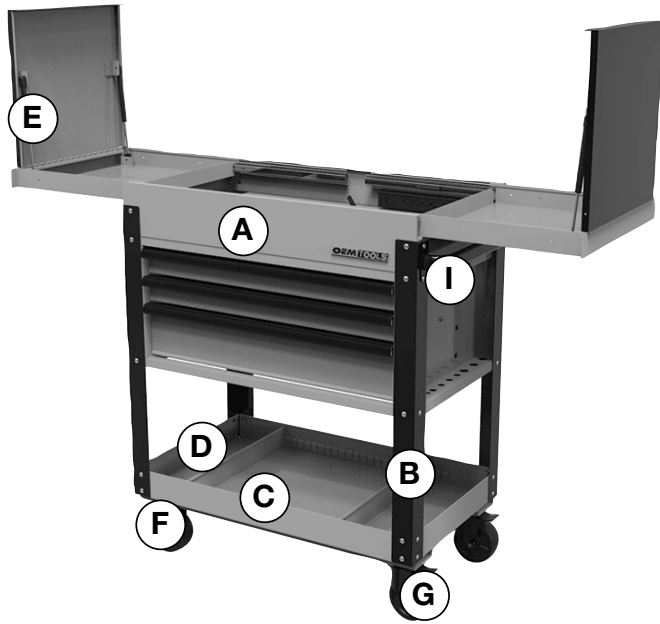


Figure 2

**NOTE:** If the drawer was slammed while the locking mechanism was engaged, and damage to the mechanism is suspected, follow instructions provided in this manual to remove the drawer. Inspect the locking tab for damage. Use a screwdriver and/or pliers to straighten the tab.

# OEMTOOLS® 36" 3-DRAWER SLIDE TOP CART

## PRODUCT LAYOUT



## PARTS LIST

Figure	Description	Qty.
A	Slide Top Cart	1
B	Uprights	4
C	Bottom Tray	1
D	Tray Dividers	2
E	Gas Struts	4
F	Fixed Casters	2
G	Locking Swivel Casters	2
H	Keys (Not Depicted)	2
I	Handle	1

Replacement Part #	Description	Qty.
24730E	Gas Struts	2
24730E		
24730F	Fixed Casters	2
24730F		
24730G	Locking Swivel Casters	2
24730G		
24730H	Keys	2
24730H		
24733I	Slides	2
24733I		

## OEMTOOLS® 3 YEAR WARRANTY

For up to three years from the date of purchase of this OEMTOOLS® product, if you find any defect in material or workmanship (through normal usage), return it to the place of purchase or to OEMTOOLS® for repair or replacement at our discretion. In order to obtain this service, send your tool and proof of purchase (transportation pre-paid) to:

OEMTOOLS® Q.A. Dept., 3580 E. Raines Road #3, Memphis, TN 38118.

We will not be responsible for lost or damaged goods during transportation; please insure your package. If our inspection verifies the defect, we will either repair or replace the product, or we may elect to refund the purchase price if we cannot readily and quickly provide you with a replacement. We will return repaired products at our expense, but if we determine there is no defect, or that the defect resulted from causes not within the scope of our warranty, then you must bear the cost of returning the product.

OEMTOOLS® does not provide warranty for products labeled other than OEM® or OEMTOOLS®. OEMTOOLS® will not provide any warranty for products subjected to abnormal use. Abnormal use includes (but is not limited to) abuse, accident, alteration, neglect, and unauthorized or unreasonable use or repairs. This warranty does not cover bits, blades, files, batteries, or calibration. We recommend that you maintain your tools and sharpen or replace blades, bits, files, and batteries as necessary. OEMTOOLS® reserves the right to make any changes in construction or design at any time without any obligation in incorporating such changes to tools or equipment previously sold.

OEMTOOLS® makes every effort to ensure that its products meet high quality and durability standards, and warrants to the original purchaser that this product is free from defects in materials and workmanship for the period of three years from the date of purchase. This warranty does not apply to damage due directly or indirectly to misuse, abuse, negligence or accidents, repairs or alterations outside our facilities, criminal activity, improper installation, normal wear and tear, or to lack of maintenance.

We shall in no event be liable for death, injuries to persons or property, or for incidental, contingent, special or consequential damages arising from the use of our product. Some states do not allow the exclusion or limitation of incidental or consequential damages, so the above limitation of exclusion may not apply to you. THIS WARRANTY IS EXPRESSLY IN LIEU OF ALL OTHER WARRANTIES, EXPRESS OR IMPLIED, INCLUDING THE WARRANTIES OF MERCHANTABILITY AND FITNESS. This warranty gives you specific legal rights, and you may also have other rights, which vary from state to state.

Don't forget to register your new OEMTOOLS® product at [www.oem-tools.com](http://www.oem-tools.com).

## CONTACT US

3580 E. Raines Road, Suite 3, Memphis, TN 38118  
 Tel: 1-866-458-2472  
[www.oem-tools.com](http://www.oem-tools.com)