

Please read and save these instructions. Read through this owner's manual carefully before using product. Protect yourself and others by observing all safety information, warnings, and cautions. Failure to comply with instructions could result in personal injury and/or damage to product or property. Please retain instructions for future reference.



12V LITHIUM-ION 3/8" DRIVE CORDLESS POWER RATCHET

FOR CUSTOMER SERVICE

Technical Question?

CALL 1-866-458-2472
customerservice@oem-tools.com

UNPACKING

After unpacking unit, inspect carefully for any damage that may have occurred during transit. Check for loose, missing, or damaged parts. If any damage is observed, a shipping damage claim must be filed with the carrier. DO NOT use the OEMTOOLS® 12V Lithium-ion 3/8" Drive Cordless Power Ratchet if broken, cracked or damaged parts (including labels) are noted. Any power tool that appears damaged in any way, operates abnormally, or is missing parts should be removed from service immediately. If you suspect that the Power Ratchet was subjected to shock load (a load that was dropped suddenly, unexpectedly, etc.), immediately discontinue use until it has been checked by a factory authorized service center.



⚠ WARNING

The following safety information is provided as a guideline to help you operate your Cordless Power Ratchet under the safest possible conditions. Any tool or piece of equipment can be potentially dangerous to use when safety or safe handling instructions are not known or not followed. The following safety instructions are to provide the user with the information necessary for safe use and operation. Please read and retain these instructions for the continued safe use of your Power Ratchet. Failure to follow instructions listed below may result in serious injury. In addition, make sure that anyone who uses the equipment understands and follows these safety instructions as well.

Explanation of Safety Signal Words

⚠WARNING: Indicates a potentially hazardous situation which, if not avoided, could result in death or serious injury.

⚠CAUTION: Indicates a potentially hazardous situation which, if not avoided, may result in minor or moderate injury.

CAUTION: Used without the safety alert symbol indicates a potentially hazardous situation which, if not avoided, may result in property damage.

NOTES: Provide clarity and helpful information.

Thank you very much for choosing an OEMTOOLS® Product!

For future reference, please register your new tool at www.oem-tools.com and complete the owner's record below:

Model: _____ **Purchase Date:** _____

Save the receipt, warranty and these instructions. It is important that you read the entire manual to become familiar with this product before you begin using it. This product is designed for certain applications only. OEMTOOLS® cannot be responsible for issues arising from modification. We strongly recommend that this product is not modified and/or used for any application other than that for which it was designed. If you have any questions relative to a particular application, DO NOT use the product until you have first contacted customer service to determine if it can or should be performed on the product.

⚠WARNING: This product can expose you to chemicals, including lead, which are known to the State of California to cause cancer and birth defects or other reproductive harm. For more information, go to www.P65Warnings.ca.gov.



12V LITHIUM-ION 3/8" DRIVE CORDLESS POWER RATCHET

▲WARNING: Read all safety warnings and instructions. Failure to follow the warnings and instructions may result in electric shock, fire, and/or serious injury. Save all warnings and instructions for future reference.

WORK AREA SAFETY

1. Keep work area clean and well lit. Cluttered or dark areas invite accidents.
2. DO NOT operate power tools in explosive atmospheres, such as in the presence of flammable liquids, gas, or dust. Power tools create sparks which may ignite the dust or fumes.
3. Keep children and bystanders away while operating a power tool. Distractions can cause you to lose control.

ELECTRICAL SAFETY

1. Power tool plugs must match the outlet. Never modify the plug in any way. DO NOT use any adapter plugs with earthed (grounded) power tools. Unmodified plugs and matching outlets will reduce risk of electric shock.
2. Avoid body contact with earthed or grounded surfaces such as pipes, radiators, ranges, and refrigerators. There is an increased risk of electric shock if your body is earthed or grounded.
3. DO NOT expose power tools to rain or wet conditions. Water entering a power tool will increase the risk of electric shock.
4. DO NOT abuse the cord. Never use the cord for carrying, pulling or unplugging the power tool. Keep cord away from heat, oil, sharp edges, or moving parts. Damaged or entangled cords increase the risk of electric shock.
5. When operating a power tool outdoors, use an extension cord suitable for outdoor use. Use of a cord suitable for outdoor use reduces the risk of electric shock.
6. If operating a power tool in a damp location is unavoidable, use a residual current device (RCD) protected supply. Use of a ground fault circuit interrupter (GFCI) reduces the risk of electric shock.

PERSONAL SAFETY

1. Stay alert, watch what you are doing, and use common sense when operating a power tool. DO NOT use a power tool while you are tired or under the influence of drugs, alcohol or medication. A moment of inattention while operating power tools may result in serious personal injury.
2. Use personal protective equipment. Always wear eye protection. Protective equipment such as dust mask, non-skid safety shoes, hard hat, or hearing protection used for appropriate conditions will reduce personal injuries.
3. Prevent unintentional starting. Ensure the switch is in the OFF position before connecting to power source and/or battery pack, picking up or carrying the tool. It is dangerous to carry power tools with your finger on the power switch or plug a power tool into a power outlet while the power switch is in the ON position.
4. Remove any adjusting key or wrench before turning the power tool ON. A wrench or a key left attached to a rotating part of the power tool may result in personal injury.

5. DO NOT overreach. Keep proper footing and balance at all times. This enables better control of the power tool in unexpected situations.
6. Dress properly. DO NOT wear loose clothing or jewelry. Keep your hair, clothing and gloves away from moving parts. Loose clothes, jewelry or long hair can be caught in moving parts.
7. If devices are provided for the connection of dust extraction and collection facilities, ensure these are connected and properly used. Use of dust collection can reduce dust-related hazards.

POWER TOOL SAFETY

1. DO NOT force the power tool. Use the correct power tool for your application. The correct power tool will do the job better and safer at the rate for which it was designed.
2. DO NOT use the power tool if the switch does not turn it ON and OFF. Any power tool that cannot be controlled with the switch is dangerous and must be repaired.
3. Disconnect the plug from the power source and/or the battery pack from the power tool before making any adjustments, changing accessories, or storing power tools. Such preventive safety measures reduce the risk of starting the power tool accidentally.
4. Store idle power tools out of the reach of children. Power tools are dangerous in the hands of untrained users. DO NOT allow persons unfamiliar with the power tool or these instructions to operate the power tool.
5. Maintain power tools. Check for misalignment or binding of moving parts, breakage of parts and any other condition that may affect the power tool's operation. If damaged, the power tool should be repaired before use. Many accidents are caused by poorly maintained power tools.
6. Keep cutting tools sharp and clean. Properly maintained cutting tools with sharp cutting edges are easier to control and less likely to bind.
7. Use the power tool, accessories and tool bits, etc. in accordance with these instructions, taking into account the working conditions and the work to be performed. Use of the power tool for operations different from those intended could result in a hazardous situation.
8. Hold power tools by insulated gripping surfaces when performing an operation where the cutting tool may contact hidden wiring or its own cord. Contact with a "live" wire will make exposed metal parts of the tool "live" and shock the operator.

BATTERY TOOL USE AND CARE

1. Recharge only with the charger specified by the manufacturer. A charger that is suitable for one type of battery pack may create a risk of fire when used with another battery pack.
2. Use power tools only with specifically designated battery packs. Use of any other battery packs may create a risk of injury and fire.
3. When battery pack is not in use, keep it away from other metal objects, like paper clips, coins, keys, nails, screws or other small metal objects that can make a connection from one terminal to another. Shorting the battery terminals together may cause burns or a fire.



12V LITHIUM-ION 3/8" DRIVE CORDLESS POWER RATCHET

- Under abusive conditions, liquid may be ejected from the battery; avoid contact. If contact accidentally occurs, flush with water. If liquid contacts eyes, additionally seek medical help. Liquid ejected from the battery may cause irritation or burns.

SERVICE

Have your power tool serviced by a qualified repair person using only identical replacement parts. This will ensure that the safety of the power tool is maintained.

SPECIFIC SAFETY INSTRUCTIONS

▲WARNING: Know your cordless ratchet. DO NOT plug in the charger or install the battery in the tool until you read and understand this Instruction Manual. Learn the tool's applications and limitations, as well as the specific potential hazards related to this tool. This will reduce the risk of electric shock, fire, or serious injury.

▲WARNING: Always wear eye protection. Any power tool can throw foreign objects into your eyes and cause permanent eye damage. ALWAYS wear safety goggles (not glasses) that comply with ANSI safety standard Z87.1.

▲WARNING: To avoid fire or toxic reaction, never use gasoline, naphtha, and acetone, paint thinner or similar highly volatile solvents to clean the tool.

- Use only accessories that are recommended for this cordless ratchet. Follow the instructions that accompany the accessories. The use of improper accessories may result in injury to the operator or damage to the tool.
- If any part is missing or damaged, DO NOT plug the tool into the power source or install any accessory until the missing or damaged part is replaced.
- Avoid awkward hand positions where a sudden slip could cause your hand to move into the path of the tool.
- To avoid injury from accidental starting, always remove the battery from the tool before installing or removing an accessory.
- It is recommended that impact sockets and accessories are used with this tool. Never use accessories that are not ANSI compliant.
- Always check sockets and accessories for damage or excessive wear. Worn accessories may cause an unsafe working environment.
- Never use this product in place of a torque wrench.
- Keep the handle and body clean and free of oil and grease. Always use a clean dry cloth when cleaning. DO NOT use solvents, brake fluid, gasoline, or other petroleum products to clean the tool. They will damage the tool.
- When wearing gloves, they must be tight fitting and slip resistant. Leather gloves offer the best protection.
- Always use two hands when operating this tool. Use one hand on the handle and the other on the front of the tool body.
- Never place your hand so it is touching the socket or accessory when the tool is turned ON.

- Be ready for components to shift when removing any fastener. The speed of the fastener removal could cause unexpected shifting of the components.
- DO NOT disassemble this tool. Take it to a qualified professional when service or repair is required. Incorrect reassembly may result in electric shock or fire.
- Always charge the battery pack indoors in a well-ventilated area. The charger must never be subjected to wet conditions.
- This tool vibrates. Repeated or long-term use can cause temporary or permanent injury in hands, wrists, arms, and shoulders. If there is any concern, always reach out to a medical professional prior to use.

PURPOSE

The OEMTOOLS® 12V Lithium-ion 3/8" Drive Cordless Power Ratchet is used for tightening or loosening nuts and bolts, automotive repair, body shop maintenance, and other applications.

PRODUCT SPECIFICATIONS

Drive	3/8" Square Drive
Speed (No Load)	230 RPM
Max Powered Torque	35 Ft/Lb. (47 N•m)
Max Manual Torque	96 Ft/Lb. (130 N•m)
Battery	12V / 2.0 Ah Li-ion
Weight	1.9 Lbs.
Charge Time	3-5 Hrs. (7 Hrs. Full Charge)

CONTENTS

- (1) Power Ratchet, (1) 12V / 2.0 Ah Li-ion Battery, (1) Charger, (1) Blow Mold Storage Case

INSTRUCTION

- Install the correct socket or accessory to the tool. Make sure the accessory is fully engaged and not damaged. Impact rated sockets and adapters are recommended.
- Use the direction lever on the back of the ratchet head to set the rotational direction desired.
- Insert the fully charged battery into the handle of the tool. Ensure the battery is fully engaged; there will be a slight "click".
- Place the socket onto the fastener to be removed/ installed.
- Slide the lock switch UP, to unlock the ratchet.

NOTE: Always check the vehicle maintenance manual for torque requirements. This tool is not a torque wrench and will overtighten low torque fasteners.

- Hold the tool with both hands and squeeze the trigger.

NOTE: When tightening fasteners, DO NOT let the tool lock out for more than 2-3 seconds. This can cause damage to the fastener and/or tool.

- Remove the tool from the fastener. Slide the lock switch DOWN to lock the ratchet.



12V LITHIUM-ION 3/8" DRIVE CORDLESS POWER RATCHET

MAINTENANCE

DO NOT attempt maintenance on this tool. Please call OEMTOOLS® customer service at 1-866-458-2472 for assistance if there is any issue with the tool.

DISPOSAL

At the end of the useful life of the tool, always dispose of in accordance with federal, state and local and regulations.

BATTERY DISPOSAL

Some countries have regulations concerning battery disposal. Follow all applicable regulations. Return used batteries to a collection location for recycling. Call 800-822-8837 or visit www.call2recycle.org to find a collection location.

POWER SOURCE CONNECTION POWER REQUIREMENTS

This product is designed to operate on a properly grounded 120 volt, 60Hz, single-phase alternating current (AC) power source fused with a time delayed fuse or circuit breaker. It is recommended that a qualified electrician verify the ACTUAL VOLTAGE at the receptacle into which the product will be plugged and confirm that the receptacle is properly fused and grounded.

DO NOT OPERATE THIS PRODUCT if the ACTUAL power source voltage is less than 105 Volts AC or greater than 132 Volts AC. Contact a qualified electrician if this problem exists. Improper performance and/or damage to the product will result if operated on inadequate or excessive power. DO NOT abuse cord. Never use the cord to carry the tool or unplug the tool from a power outlet. Keep cord away from heat, sharp edges, or moving parts. Replace damaged cords immediately. Damaged cords increase the risk of electric shock.

CHARGING THE BATTERY PACK

1. Place the discharged battery in a dry location near a 110-120V 60 Hz electrical outlet.
2. Slide the battery charging cap onto the battery. Slide the charging cap as far as it will go onto the battery.
3. Plug the charger into the 110-120V/60 Hz wall receptacle.

BATTERY INDICATOR LIGHTS

⚠WARNING: DO NOT charge batteries when the work area or the battery temperature is at or below 32°F (0°C) or above 113°F (45°C).

1. The green indicator light will turn ON indicating the charger is “live.”
2. The green and red indicator lights will turn ON when the charging cap is properly installed onto the battery.
3. If the indicator lights do not turn on, check to make sure the charging cap is slid fully onto the battery and the electrical outlet is working properly.
4. The green indicator light will remain ON and the red indicator light will turn OFF when the battery is fully charged.

5. The battery should be left on the charger for up to 7 hours or until the green indicator light turns ON to ensure it is fully charged.

NOTE: It is normal for the battery charger to hum and be warm to the touch during operation.

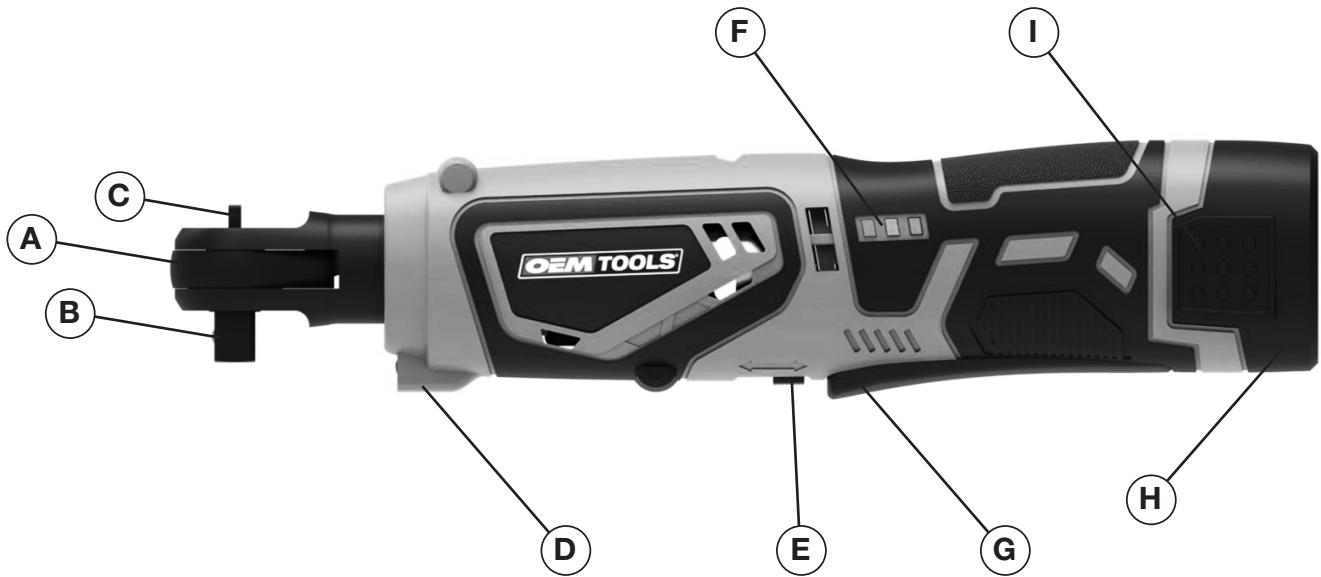
NOTE: If the battery pack does not charge properly, check to make sure the electrical outlet is “live.”

Green Light	Red Light	Battery on the Charger	Charging Status
ON	OFF	NO	Charger connected to the power supply
ON	ON	YES	Battery charging
ON	OFF	YES	Battery fully charged



12V LITHIUM-ION 3/8" DRIVE CORDLESS POWER RATCHET

PRODUCT LAYOUT



PARTS LIST

Figure	Description
A	Ratchet Head
B	3/8" Square Drive
C	Rotation Direction Lever
D	LED Light
E	Lock Switch
F	Battery Level Indicator
G	Trigger
H	Battery
I	Battery Release
J	Charger (Not Depicted)



12V LITHIUM-ION 3/8" DRIVE CORDLESS POWER RATCHET

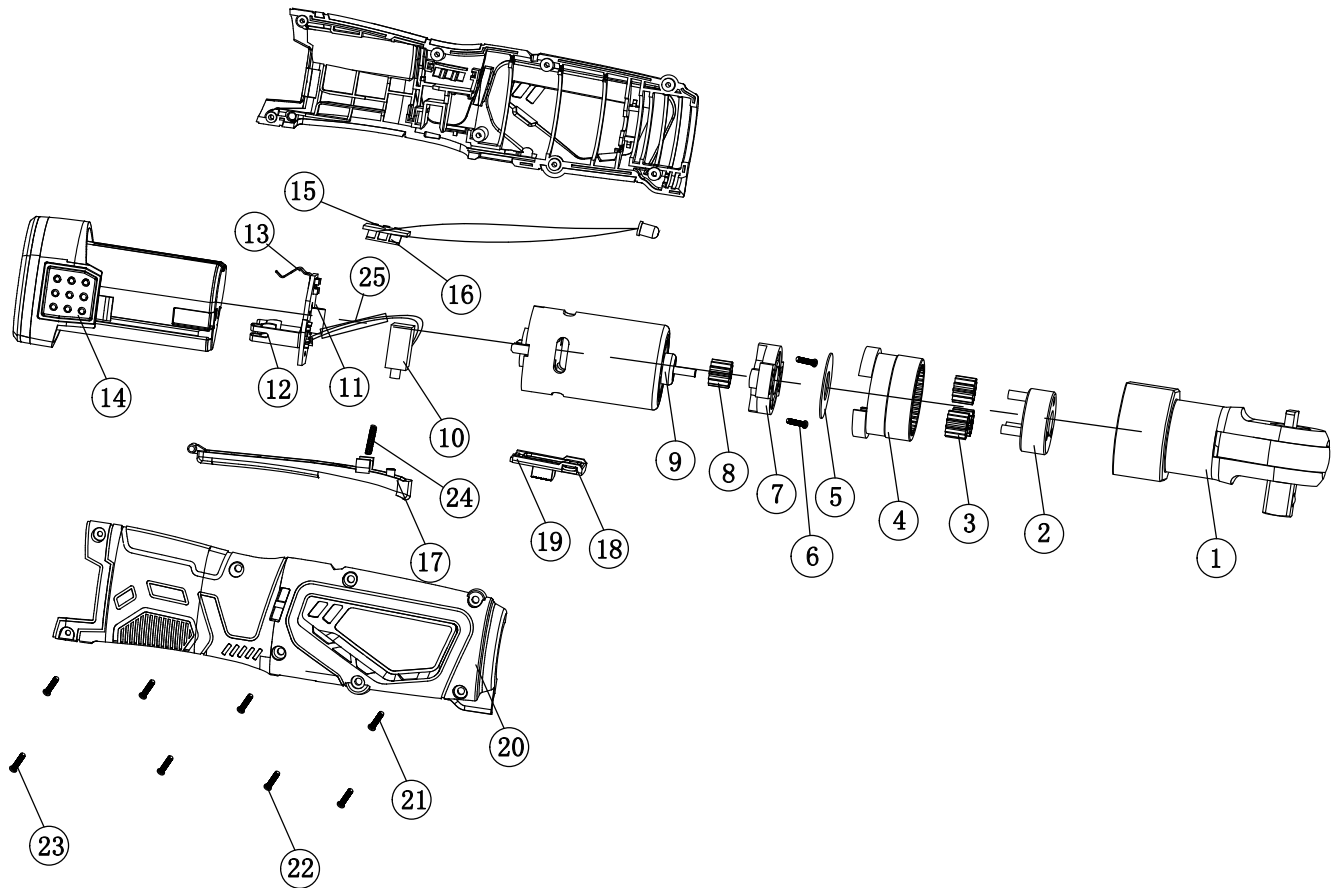


Figure	Description	Qty.
1	Ratchet Head Assembly	1
2	Planetary Gear Arm	1
3	Planetary Gears	3
4	Ring Gear	1
5	Washer	1
6	Fastener with Elastic Washer	2
7	Motor Flange	1
8	Central Drive Gear	1
9	Motor	1
10	Power Switch	1
11	Terminal Plate	1
12	Connection Terminal	1
13	Discharge Terminal	1

Figure	Description	Qty.
14	Battery Pack	1
15	LED Board for Charge Indicator and LED	1
16	Charge Indicator Cover	1
17	Trigger	1
18	Lock Switch Wire	1
19	Lock Switch	1
20	Housing	2
21	Housing Fasteners	2
22	Housing Fasteners	4
23	Housing Fasteners	2
24	Trigger Spring	1
25	Wire Insulating Shrink Tubing	1



12V LITHIUM-ION 3/8" DRIVE CORDLESS POWER RATCHET

OEMTOOLS® ONE YEAR WARRANTY

For up to one year from the original purchase of this OEMTOOLS® product, if you find any defect in material or workmanship (through normal usage) return it to the place of purchase or to OEMTOOLS® for repair or replacement at our discretion. In order to obtain this service, send your tool and proof of purchase (transportation pre-paid) to OEMTOOLS® Q.A. Dept., 3850 Raines Road #3, Memphis, TN 38118. We will not be responsible for lost or damaged goods during transportation; please insure your package. If our inspection verifies the defect, we will either repair or replace the product, or we may elect to refund the purchase price if we cannot readily and quickly provide you with a replacement. We will return repaired products at our expense, but if we determine there is no defect, or that the defect resulted from causes not within the scope of our warranty, then you must bear the cost of returning the product.

OEMTOOLS® does not provide warranty for products labeled other than OEM® or OEMTOOLS®. OEMTOOLS® will not provide any warranty for products subjected to abnormal use. Abnormal use includes (but is not limited to) abuse, accident, alteration, neglect, and unauthorized or unreasonable use or repairs. This warranty does not cover bits, blades, files, batteries, or calibration. We recommend that you maintain your tools and sharpen or replace blades, bits, files, and batteries as necessary. OEMTOOLS® reserves the right to make any changes in construction or design at any time without any obligation in incorporating such changes to tools or equipment previously sold.

OEMTOOLS® makes every effort to ensure that its products meet high quality and durability standards, and warrants to the original purchaser that this product is free from defects in materials and workmanship for the period of one year from the date of purchase. This warranty does not apply to damage due directly or indirectly to misuse, abuse, negligence or accidents, repairs or alterations outside our facilities, criminal activity, improper installation, normal wear and tear or to lack of maintenance.

We shall in no event be liable for death, injuries to persons or property, or for incidental, contingent, special or consequential damages arising from the use of our product. Some states do not allow the exclusion or limitation of incidental or consequential damages, so the above limitation of exclusion may not apply to you. THIS WARRANTY IS EXPRESSLY IN LIEU OF ALL OTHER WARRANTIES, EXPRESS OR IMPLIED, INCLUDING THE WARRANTIES OF MERCHANTABILITY AND FITNESS. This warranty gives you specific legal rights, and you may also have other rights, which vary from state to state.

Don't forget to register your new OEMTOOLS® product at www.oem-tools.com.