

Please read and save these instructions. Read through this owner's manual carefully before using product. Protect yourself and others by observing all safety information, warnings, and cautions. Failure to comply with instructions could result in personal injury and/or damage to product or property. Please retain instructions for future reference.



PNEUMATIC HEATED PARTS WASHING CABINET

FOR CUSTOMER SERVICE

Technical Question?

CALL 1-866-458-2472
customerservice@oem-tools.com

UNPACKING

After unpacking unit, inspect carefully for any damage that may have occurred during transit. Check for loose, missing, or damaged parts. If any damage is observed, a shipping damage claim must be filed with carrier. DO NOT use the OEMTOOLS® Pneumatic Heated Parts Washing Cabinet if broken, bent, cracked or damaged parts (including labels) are noted. Any Parts Washing Cabinet that appears damaged in any way, operates abnormally, or is missing parts should be removed from service immediately. If you suspect that the Parts Washing Cabinet was subjected to shock load (a load that was dropped suddenly, unexpectedly, etc.), immediately discontinue use until it has been checked by a factory authorized service center.



⚠ WARNING

The following safety information is provided as a guideline to help you operate your Parts Washing Cabinet under the safest possible conditions. Any tool or piece of equipment can be potentially dangerous to use when safety or safe handling instructions are not known or not followed. The following safety instructions are to provide the user with the information necessary for safe use and operation. Please read and retain these instructions for the continued safe use of your Parts Washing Cabinet. Failure to follow instructions listed below may result in serious injury. In addition, make certain that anyone who uses the equipment understands and follows these safety instructions as well.

Explanation of Safety Signal Words

⚠ WARNING: Indicates a potentially hazardous situation which, if not avoided, could result in death or serious injury.

⚠ CAUTION: Indicates a potentially hazardous situation which, if not avoided, may result in minor or moderate injury.

CAUTION: Used without the safety alert symbol indicates a potentially hazardous situation which, if not avoided, may result in property damage.

NOTES: Provide clarity and helpful information.

Thank you very much for choosing an OEMTOOLS® Product!

For future reference, please register your new tool at www.oem-tools.com and complete the owner's record below:

Model: _____ **Purchase Date:** _____

Save the receipt, warranty and these instructions. It is important that you read the entire manual to become familiar with this product before you begin using it. This product is designed for certain applications only. OEMTOOLS® cannot be responsible for issues arising from modification. We strongly recommend that this product is not modified and/or used for any application other than that for which it was designed. If you have any questions relative to a particular application, DO NOT use the product until you have first contacted customer service to determine if it can or should be performed on the product.



PNEUMATIC HEATED PARTS WASHING CABINET

! IMPORTANT INSTRUCTIONS AND SAFETY RULES

1. Know your product. Read this manual carefully. Learn the product's applications and limitations, as well as potential hazards specific to it. The use of this product is simple and straightforward if you follow the instructions. When operating this product, use common sense and only use this product for its intended purpose.
2. Maintain labels and nameplates on this product. These carry important information. If unreadable or missing, contact OEMTOOLS® for a replacement.
3. Maintain this product with care. Keep it dry and clean – and free from brake fluid, oil, and grease (if applicable).
4. Check for damage. Check your product regularly. If part of the product is damaged, it should be carefully inspected to make sure that it can perform its intended function correctly. If in doubt, the part should be repaired. Refer all servicing to a qualified technician. Consult your dealer for advice.
5. Check for misalignment or binding of moving parts, breakage of parts, and any other condition that may affect the product's operation.
6. DO NOT use a damaged product. Tag damaged products "DO NOT USE" until repaired. If damaged, have the product serviced before using. Many accidents are caused by poorly maintained products.
7. Service must be performed only by qualified repair personnel. Service or maintenance performed by unqualified personnel could create a risk of injury.
8. When servicing a product, use only identical replacement parts. Use of unauthorized parts or failure to follow maintenance instructions could create a risk of injury.
9. Use only accessories that are recommended by the manufacturer for your model. Accessories that may be suitable for one product may become hazardous when used on another product.
10. Keep work area clean and well lit. Cluttered or dark work areas invite accidents.
11. Maintain a safe working environment. Keep the work area well lit. Make sure there is adequate surrounding workspace. Keep the work area free of obstructions, grease, oil, trash, and other debris. DO NOT use this product in a damp or wet location.
12. Keep children away. All children should be kept away from the work area. Never let a child handle this product without strict adult supervision.
13. Store this product out of the reach of children and untrained persons. This product may be dangerous in the hands of untrained users.
14. DO NOT operate this product if under the influence of alcohol or drugs. Read warning labels on prescriptions to determine if your judgment or reflexes are impaired while taking drugs. If there is any doubt, DO NOT attempt to operate.
15. Use safety equipment. Eye protection should be worn at all times when operating this product. Use ANSI approved safety glasses. Everyday eyeglasses are NOT safety glasses. Dust mask, non-skid safety shoes, hard hat or hearing protection should be used in appropriate conditions.
16. Wear proper apparel. Loose clothing, gloves, neck-ties, rings, bracelets or other jewelry may present a potential hazard when operating this product. Keep all apparel clear of the product.
17. DO NOT overreach. Keep proper footing and balance at all times when operating this product.
18. Keep away from flammables. DO NOT attempt to operate this product near flammable materials or combustibles. Failure to comply may cause serious injury or death.
19. Avoid accidental fire and/or explosion. DO NOT smoke near engine fuel and battery components.
20. We believe the information contained herein to be reliable. However, general technical information is given by us without charge and the user shall employ such information at their own discretion and risk. We assume no responsibility for results or damages incurred from the use of such information in whole or in part. Always refer to specific instructions and technical information supplied by vehicle manufacturer.
21. The manufacturer declines any and all responsibility for property damage or injury if said damage is the result of unskillful handling by the operator or of failure to observe the basic safety rules set forth in the instruction manual.
22. The warnings, precautions, and instructions discussed in this manual cannot cover all possible conditions and situations that may occur. The operator must understand that common sense and caution are factors which cannot be built into this product, but must be supplied by the operator.

PRODUCT DESCRIPTION

The OEMTOOLS® 24677 Pneumatic Heated Parts Washing Cabinet uses compressed air to spray heated cleaner (up to 140°F) for maximum cleaning effectiveness.

PRODUCT SPECIFICATIONS

Cleaning Solution Capacity	3.5 Gallons (13.25L)
Max Temperature	140°F (60°C)
Air Requirement	70-120 PSI @ 5 CFM
Flow Rate	.21 GPM

CONTENTS

Washing Cabinet
Cleaning Gun
Handling Gloves
Cabinet Leveling Pads

NOTE: Cleaning Solution not included



PNEUMATIC HEATED PARTS WASHING CABINET

SPECIFIC SAFETY INSTRUCTIONS AND WARNINGS

Thoroughly read and understand all instructions in this product manual before using this product. Failure to follow all instructions listed below may result in electric shock, fire, and/or serious personal injury.

▲WARNING:

- DO NOT use with flammable or combustible solvent.
- DO NOT operate in locations with poor ventilation.
- DO NOT operate with damaged gloves.
- Always ensure that Power and Heating switches are in the "Off" position before opening cabinet.

CAUTION:

- DO NOT operate with cabinet lid in the open position.
- DO NOT operate heating element with empty cleaning solution tank. Operating with less than 2 gallons of solvent can damage the heating element.
- DO NOT leave Power or Heating Element "On" while not in use.
- Only operate on hard, level surface.
- It is recommended to set thermostat below 120°F (50°C).

WORK AREA SAFETY

- Keep your work area clean and well lit. Cluttered and dark work areas invite accidents.
- DO NOT operate in potentially explosive environments, such as in the presence of flammable liquids, gas, or dust. The heating element may ignite the dust or fumes.

ELECTRICAL SAFETY

- Use only with 120V AC GFCI outlets.
- Avoid using extension cords whenever possible.

PERSONAL SAFETY

- Although the washing cabinet provides protection from the cleaning process, it is recommended to wear ANSI approved safety goggles when using compressed air or cleaning solutions.

ASSEMBLY

- Carefully lay the Parts Washing Cabinet (18) on a flat surface with the Front Panel (1) facing up.
- Attach the Support Leg Cross Brace (22) to the Support Legs (23) using the 2 M10 bolts and flat washers.
- Attach the Support Legs (23) to the Cabinet (18) using 4 M12 bolts and flat washers.
- Attach the 4 Leveling Pads (24) to the Support Legs (23).
- With assistance, carefully stand the assembled Parts Washing Cabinet and tighten all fasteners.
- Using a level (not included), adjust Leveling Pads (24) making sure that the Parts Washing Cabinet is level in its desired location.
- Connect an air compressor hose to the Air Inlet located under the cabinet near the Front Panel (1). See Figure 1

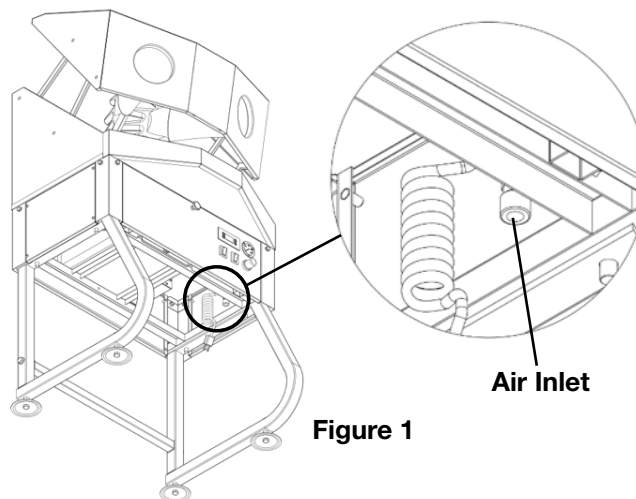


Figure 1

OPERATION

- Be sure that the Power and Heating Switches are in the "Off" positions and plug the power cord into a 120V AC GFCI outlet.
- With the Cabinet Cover (10) and the Front Panel (1) open, pour cleaning solution into the fluid return inside the cabinet while observing the Cleaner Level Indicator on the Cleaning Solution Tank (4).
- Place the part to be cleaned on the Metal Grate (6) inside the cabinet and close the Cabinet Cover (10).
- Adjust cleaning air pressure for the type of item you are cleaning with the air pressure regulator located on the Front Panel (1) while observing the pressure gauge also located on the Front Panel. See Figure 2



Figure 2



PNEUMATIC HEATED PARTS WASHING CABINET

5. Turn on the power to the unit with the Power Switch located on the Front Panel (1).
6. If the cleaning job does not require heated cleaning solution, proceed to step 7. If heated cleaning solution is needed, proceed to step 8.
7. With the Cabinet Cover (10) closed and Power Switch "On", use the Gloves (11) to operate the Cleaning Gun (17) inside the cabinet. You can control the flow of cleaning solution with the Fluid Control Valve pictured in Figure 3. When in the closed position, the Cleaning Gun can be used to dry the part.



Figure 3

Fluid Control Valve

8. To clean with heated cleaning solution:
 - a. Push the Heat Switch to the "On" position
 - b. Press the Thermostat Control power button (marked "OK"). The current temperature setting will display.
 - c. Press "Set" on the Thermostat Control; the numbers will begin to blink.
 - d. Using the arrow keys, increase or decrease the temperature to the desired setting.
 - e. Press "OK" to lock in the temperature setting.



Figure 4

9. Clean parts using the Cleaning Gun (17) as described in step 7.
10. When you are done cleaning the part, turn "Off" the Heat Switch then the Power Switch before opening the Cabinet Cover (10) to remove the part.

CARE AND MAINTENANCE

1. Disconnect power cord and air before maintenance or when not in use for extended periods of time. It is also recommended to empty the Cleaning Solution Tank (4).
2. Clean regularly with mild soap and water using caution to avoid excess water on the Front Panel (1).
3. Remove and clean the Cleaning Solution Filter (7) located in the cleaner return below the Metal Grate (6).
4. Use the tank drain valve location on the side of the tank to remove cleaning solution. Pour warm water in through the cleaner return inside the cabinet with the tank drain valve open and routed to an appropriate drain pan or bucket in order to remove dirty cleaning solution. The Cleaning Solution Tank (4) can be removed for cleaning periodically by taking out the holding screw at the front of the tank.
5. Be sure to dispose of old cleaning solution as described by the manufacturer.

TROUBLESHOOTING

Symptom(s)	Possible Cause(s)	Corrective Action(s)
Cleaning gun does not deliver cleaning solution with valve fully open	1. Power switch is "Off" 2. Cleaning solution is low 3. Cleaning solution supply hose is clogged	1. Push switch to "On" 2. Add cleaning solution to tank 3. Remove supply hose and check for blockage
Light does not come on with power but fan operates	Bulb is no longer good	Replace bulb
Thermostat Control is not displaying correctly	Connection plug may be loose	Check the connection and secure
Cleaning solution is not heating properly	1. Heat switch is not in the "On" position 2. Heating element is damaged	1. Push Heat switch to "On" 2. Remove and replace heating element

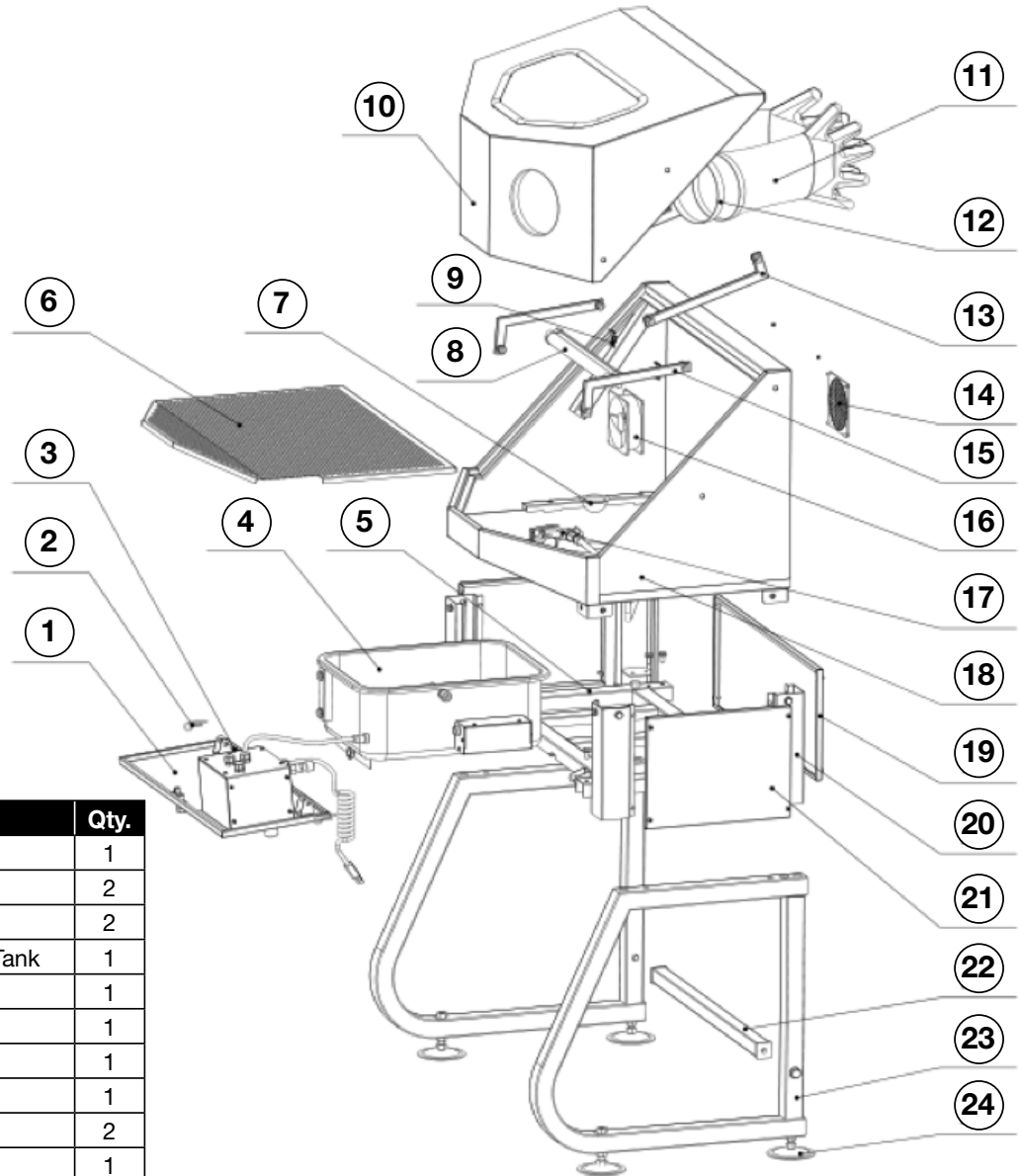
DISPOSAL

At the end of the useful life of the Heated Parts Washing Cabinet, dispose of the components according to all local, state, and federal regulations.



PNEUMATIC HEATED PARTS WASHING CABINET

PRODUCT LAYOUT



PARTS LIST

Figure	Description	Qty.
1	Front Panel	1
2	Pin	2
3	Hinge Axis	2
4	Cleaning Solution Tank	1
5	Cabinet Holder	1
6	Metal Grate	1
7	Filter Screen	1
8	LED Light	1
9	Light Hoop	2
10	Cabinet Cover	1
11	Gloves	1 pair
12	Gloves Hoop	2
13	Back Door Rod	2
14	Fan Cover	1
15	Front Door Rod	2
16	Ventilation Fan	1
17	Cleaning Gun	1
18	Cabinet	1
19	Rear Cover	1
20	Side Support	4
21	Side Cover	2
22	Support Leg Cross Brace	1
23	Support Leg	2
24	Leveling Pad	4



PNEUMATIC HEATED PARTS WASHING CABINET

OEMTOOLS® 90 DAY LIMITED WARRANTY

For up to 90 days from the original purchase of this OEMTOOLS® product, if you find any defect in material or workmanship (through normal usage), return it to the place of purchase or to OEMTOOLS® for repair or replacement at our discretion. In order to obtain this service, send your tool and proof of purchase (transportation pre-paid) to:

OEMTOOLS® Q.A. Dept., 3580 E. Raines Road #3, Memphis, TN 38118.

We will not be responsible for lost or damaged goods during transportation; please insure your package. If our inspection verifies the defect, we will either repair or replace the product, or we may elect to refund the purchase price if we cannot readily and quickly provide you with a replacement. We will return repaired products at our expense, but if we determine there is no defect, or that the defect resulted from causes not within the scope of our warranty, then you must bear the cost of returning the product.

OEMTOOLS® does not provide warranty for products labeled other than OEM® or OEMTOOLS®. OEMTOOLS® will not provide any warranty for products subjected to abnormal use. Abnormal use includes (but is not limited to) abuse, accident, alteration, neglect, and unauthorized or unreasonable use or repairs. This warranty does not cover bits, blades, files, batteries, or calibration. We recommend that you maintain your tools and sharpen or replace blades, bits, files, and batteries as necessary. OEMTOOLS® reserves the right to make any changes in construction or design at any time without any obligation in incorporating such changes to tools or equipment previously sold.

OEMTOOLS® makes every effort to ensure that its products meet high quality and durability standards and warrants to the original purchaser that this product is free from defects in materials and workmanship for the period of 90 days from the date of purchase. This warranty does not apply to damage due directly or indirectly to misuse, abuse, negligence or accidents, repairs or alterations outside our facilities, criminal activity, improper installation, normal wear and tear, or to lack of maintenance.

We shall in no event be liable for death, injuries to persons or property, or for incidental, contingent, special or consequential damages arising from the use of our product. Some states do not allow the exclusion or limitation of incidental or consequential damages, so the above limitation of exclusion may not apply to you. THIS WARRANTY IS EXPRESSLY IN LIEU OF ALL OTHER WARRANTIES, EXPRESS OR IMPLIED, INCLUDING THE WARRANTIES OF MERCHANTABILITY AND FITNESS. This warranty gives you specific legal rights, and you may also have other rights, which vary from state to state.

Don't forget to register your new OEMTOOLS® product at www.oem-tools.com.

CONTACT US

3580 E. Raines Road, Suite 3, Memphis, TN 38118
Tel: 1-866-458-2472
www.oem-tools.com