

Please read and save these instructions. Read through this owner's manual carefully before using product. Protect yourself and others by observing all safety information, warnings, and cautions. Failure to comply with instructions could result in personal injury and/or damage to product or property. Please retain instructions for future reference.



## 36"x17" Portable Tool Chest and 6-Drawer Tool Cabinet

### FOR CUSTOMER SERVICE

Technical Question?

**CALL 1-866-458-2472**

[customerservice@oem-tools.com](mailto:customerservice@oem-tools.com)

### UNPACKING

After unpacking the unit, inspect carefully for any damage that may have occurred during transit. Check for loose, missing, or damaged parts. If any damage is observed, a shipping damage claim must be filed with the carrier. DO NOT use the OEMTOOLS™ Tool Chest and Cabinet if broken, bent, cracked or damaged parts (including labels) are noted. Any Tool Chest and Cabinet that appears damaged in any way, operates abnormally or is missing parts should be removed from service immediately. If you suspect that the Tool Chest and Cabinet was subjected to shock load (a load that was dropped suddenly, unexpectedly, etc.) immediately discontinue use until it has been checked by a factory authorized service center.



BLACK CHEST  
**24571**

BLACK CABINET  
**24572**

BLACK COMBO  
**24573**

GREEN CHEST  
**24574**

GREEN CABINET  
**24575**

GREEN COMBO  
**24576**

RED CHEST  
**24631**

RED CABINET  
**24632**

RED COMBO  
**24633**

### **⚠ WARNING**

The following safety information is provided as a guideline to help you operate your Tool Chest and Cabinet under the safest possible conditions. Any tool or piece of equipment can be potentially dangerous to use when safety or safe handling instructions are not known or not followed. The following safety instructions are to provide the user with the information necessary for safe use and operation. Please read and retain these instructions for the continued safe use of your tool. Failure to follow instructions listed below may result in serious injury. In addition, make certain that anyone who uses the equipment understands and follows these safety instructions as well.

### EXPLANATION OF SAFETY SIGNAL WORDS

**⚠ WARNING:** Indicates a potentially hazardous situation which, if not avoided, could result in death or serious injury.

**⚠ CAUTION:** Indicates a potentially hazardous situation which, if not avoided, may result in minor or moderate injury.

**CAUTION:** Used without the safety alert symbol indicates a potentially hazardous situation which, if not avoided, may result in property damage.

**NOTES:** Provide clarity and helpful information.

Thank you very much for choosing an OEMTOOLS™ Product!

For future reference, please register your new tool at [www.oem-tools.com](http://www.oem-tools.com) and complete the owner's record below:

**Model:** \_\_\_\_\_ **Purchase Date:** \_\_\_\_\_

Save the receipt, warranty and these instructions. It is important that you read the entire manual to become familiar with this product before you begin using it. This product is designed for certain applications only. OEMTOOLS™ cannot be responsible for issues arising from modification. We strongly recommend this product is not modified and/or used for any application other than that for which it was designed. If you have any questions relative to a particular application, DO NOT use the product until you have first contacted customer service to determine if it can or should be performed on the product.



# 36"x17" Portable Tool Chest and 6-Drawer Tool Cabinet

## **!** IMPORTANT INSTRUCTIONS AND SAFETY RULES

1. The maximum product weight, including contents, for this unit should be no more than 1100 Lbs. (499 kg).
2. The maximum weight for each drawer should be no more than 100 Lbs. (45 kg).
3. Do not attempt to lift the chest using chains, ropes or lifting devices, if two people cannot lift the chest by the side handles. Use a forklift placed under the bottom of the chest if this situation occurs. The side handle may fail, which may cause personal injury or damage to the product.
4. Close the lid and lock the drawers before moving this product. The drawers could come open and make the product unstable and tip, which may cause personal injury or product damage.
5. Be careful when closing the lid. Remove hands before the lid closes completely to prevent personal injury.
6. DO NOT stand on this product. You may fall, which may cause personal injury.
7. Wear safety glasses when removing or repositioning the slides.
8. When moving this product, do not pull it. Push the product to prevent personal injury.
9. Use the brakes when not moving this product. This will prevent the product from rolling, which may cause personal injury or product damage.
10. Be careful when opening more than one drawer at a time. The product could become unstable and tip, which may cause personal injury or product damage.
11. Secure this product properly before moving it with a forklift.
12. DO NOT tow with power equipment. The product could tip, which may cause personal injury or product damage.
13. DO NOT alter this product in any manner. For example, do not weld external lockbars or attach electrical equipment. This may cause product damage or personal injury.
14. Keep the product on level surfaces. The product could become unstable and tip if stored or moved on an uneven surface, which may cause personal injury or product damage.
15. To prevent the chest from easily tipping over, fasten the screws to connect the chest and cabinet at the back.

### PRODUCT DESCRIPTION

The OEMTOOLS™ top chest, cabinet and combo toolbox combines the flexibility of a drawer toolbox with the efficiency and organization of their patented peg tool storage system to keep your tools organized and in one place in your shop or garage.

#### TOP CHEST SPECIFICATIONS

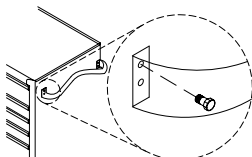
Part #s	24571 (Black), 24574 (Green), 24631 (Red)
Dimensions	36" (W) x 17-3/8" (D) x 21-1/2" (H)
Size	13,120 Cubic Inches

#### CABINET SPECIFICATIONS

Part #s	24572 (Black), 24575 (Green), 24632 (Red)
Dimensions	36" (W) x 18-3/8" (D) x 40-3/4" (H) (with casters)
Size	12,388 Cubic Inches
Drawers	2.5" (3), 5.5" (2), 8.5" (1)

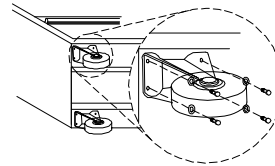
### ASSEMBLY

#### STEP 1 HANDLE INSTALLATION



**NOTE:** Assemble the handle first to make it easier to move the cabinet. Position the handle over the holes in the cabinet and attach with the M6 x 12 mm hex bolts provided. Tighten securely using a 10 mm socket.

#### STEP 2 CASTER INSTALLATION

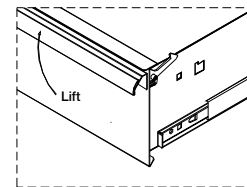


**⚠ CAUTION:** Two or more people are required to lay down or stand up the cabinet. Use the side handles for assistance. DO NOT stand in front of or behind the product during this process. Lock drawers before proceeding.

Carefully lay the cabinet on its back, with a soft mat underneath for protection.

Position the two swivel casters on the cabinet bottom, on the same side as the handle. Insert four M8 x 20 mm hex bolts through washers, then through each caster and into the bottom of the cabinet. Tighten securely. Repeat for the two rigid casters on the other side of the cabinet.

#### RAISE AND RELEASE DRAWER FRONTS



These units are equipped with raise and release drawer fronts. To open, lift up on the drawer front while pulling towards you. To close, shut the drawer firmly until the latch engages.

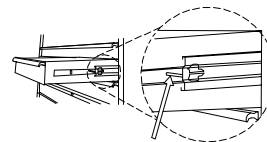
If the drawer does not stay closed, the hook may be bent, or it may be rubbing against the drawer slides. To fix this problem, lightly bend the hook until the drawer will engage in the slide.

#### DRAWER REMOVAL

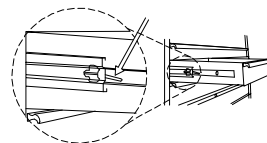
Pull the drawer out so that it's almost fully extended. Push up on the black release lever on one side, while pulling down on the black release lever on the other side.

While holding the levers in the positions as instructed above, pull the drawer outward until it is released from the drawer slide.

#### ONE SIDE – PUSH UP



#### OTHER SIDE – PUSH DOWN



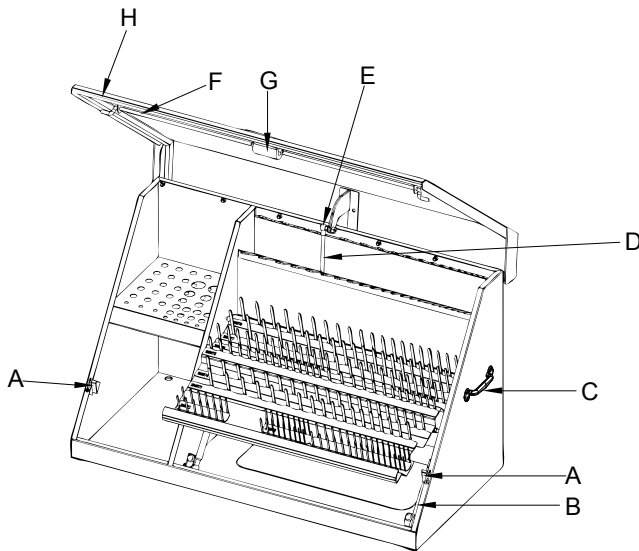
#### DRAWER REPLACEMENT

Extend the drawer slides from the tool chest or cabinet. Insert the brackets on each side of the drawer into the slots in the slides, being careful that they are properly positioned. Once properly inserted, completely close the drawer to set the slides in their proper positions.



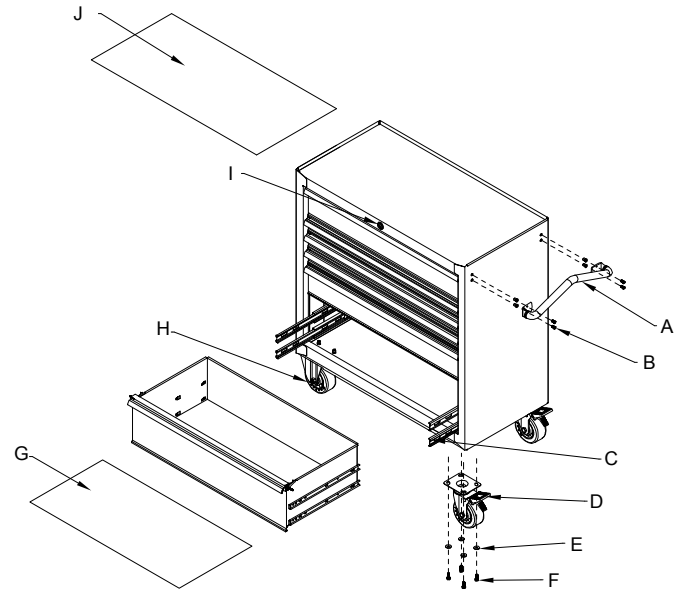
# 36"x17" Portable Tool Chest and 6-Drawer Tool Cabinet


## CHEST PARTS DIAGRAM



THE KEYS ARE TAPED TO THE TOP STORAGE AREA OF THE CHEST. 

## CABINET PARTS DIAGRAM



THE KEYS ARE TAPED TO THE TOP OF THE CASTER CARTON, WHICH IS PLACED IN THE BOTTOM DRAWER OF THE CABINET. 

**NOTE:** Not all components of the Tool Chest and Cabinet are replacement items, but are illustrated as a convenient reference for location and position in the assembly sequence. The manufacturer and/or distributor have provided the parts list and assembly diagram in this manual as a reference tool only. Neither the manufacturer nor distributor makes any representation or warranty of any kind to the buyer that he or she is qualified to make any repairs to the product,

or that he or she is qualified to replace any parts of the product. In fact, the manufacturer and/or distributor expressly states that all repairs and parts replacements should be undertaken by certified and licensed technicians, and not by the buyer. The buyer assumes all risk and liability arising out of his or her repairs to the original product or replacement parts thereto, or arising out of his or her installation of replacement parts thereto.

### CHEST PARTS LIST

Figure	Description	Qty.
A	Striker Kit Set	1
B	Gas Spring	2
C	Side Handle	2
D	Gas Spring	1
E	Lock Nut	6
F	Rod	2
G	Latch and Key (801-810)	1
H	Weather Stripping Kit Set	1

### CABINET PARTS LIST

Figure	Description	Qty.
A	Cabinet Handle	1
B	M6 x 12 Hex Bolt	4
C	Slide Set	9
D	Swivel Caster	2
E	Washer	16
F	M8 x 20 Hex Bolt	16
G	Drawer Liner	6
H	Rigid Caster	2
I	Lock and Key (1201-1204)	1
J	Top Mat	1



## 36"x17" Portable Tool Chest and 6-Drawer Tool Cabinet

### OEMTOOLS™ 3 YEAR LIMITED TOOL STORAGE WARRANTY

This 3 Year Limited Warranty on OEMTOOLS™ Tool Storage units (chest, cabinets, combination items, tray, and service carts) are warranted to be free from defect in materials and workmanship for a period of three (3) years from the date of original purchase.

OEMTOOLS™ shall not be liable for, nor shall this warranty include or apply to any loss of damage caused by or resulting from the following: (1) Use of the product in a manner other than as specified in this product manual; use of the product beyond its rated capacity or specifications; (2) Modification, alteration or repair not performed by OEMTOOLS™ or its authorized subcontractors or third parties approved by OEMTOOLS™; (3) Floods, fires, earthquakes, tornado, vandalism or other acts of nature, including windstorms, lightning and hail damage or any other insurable loss under standard fire and extended coverage plans; (4) Abuse, misuse, negligence, improper or inadequate maintenance, tampering, or accident; chemicals that can damage powder coat finish or causing rust; (5) Accessories, alterations, attachments or other devices not furnished by the company or (6) Failure of buyer to follow operating procedures or the instructions of the company, or to provide a suitable operating environment. All customers receiving shipments of our products are responsible to inspect shipments before accepting; OEMTOOLS™ will not be responsible after shipment of product is accepted if product is damaged or has missing parts.

Don't forget to register your new OEMTOOLS™ product at [www.oem-tools.com](http://www.oem-tools.com).

## CONTACT US

3580 E. Raines Road, Suite 3, Memphis, TN 38118  
Tel: 1-866-458-2472  
[www.oem-tools.com](http://www.oem-tools.com)