

Please read and save these instructions. Read through this owner's manual carefully before using product. Protect yourself and others by observing all safety information, warnings, and cautions. Failure to comply with instructions could result in personal injury and/or damage to product or property. Please retain instructions for future reference.



36" 6 DRAWER TOOL CABINET & 36" 6 DRAWER TOOL CHEST

FOR CUSTOMER SERVICE

Technical Question?

CALL 1-866-458-2472
customerservice@oem-tools.com

UNPACKING

After unpacking the unit, inspect carefully for any damage that may have occurred during transit. Check for loose, missing, or damaged parts. If any damage is observed, a shipping damage claim must be filed with the carrier. DO NOT use the OEMTOOLS™ 36" Tool Cabinet and Chest if broken, bent, cracked or damaged parts (including labels) are noted. Any 36" Tool Cabinet and Chest that appears damaged in any way, operates abnormally or is missing parts should be removed from service immediately. If you suspect that the 36" Tool Cabinet and Chest was subjected to shock load (a load that was dropped suddenly, unexpectedly, etc.), immediately discontinue use until it has been checked by a factory authorized service center.



24569 Chest and Cabinet Combo - Black

24567 36" 6 Drawer
Tool Chest – Black

24568 36" 6 Drawer
Tool Cabinet – Black

24640 Chest and Cabinet Combo - Green

24638 36" 6 Drawer
Tool Chest – Green

24639 36" 6 Drawer
Tool Cabinet – Green

⚠ WARNING

The following safety information is provided as a guideline to help you operate your 36" Tool Cabinet and Chest under the safest possible conditions. Any tool or piece of equipment can be potentially dangerous to use when safety or safe handling instructions are not known or not followed. The following safety instructions are to provide the user with the information necessary for safe use and operation. Please read and retain these instructions for the continued safe use of your 36" Tool Cabinet and Chest. Failure to follow instructions listed below may result in serious injury. In addition, make sure that anyone who uses the equipment understands and follows these safety instructions as well.

Explanation of Safety Signal Words

⚠ WARNING: Indicates a potentially hazardous situation which, if not avoided, could result in death or serious injury.

⚠ CAUTION: Indicates a potentially hazardous situation which, if not avoided, may result in minor or moderate injury.

CAUTION: Used without the safety alert symbol indicates a potentially hazardous situation which, if not avoided, may result in property damage.

NOTES: Provide clarity and helpful information.

Thank you very much for choosing an OEMTOOLS™ Product!

For future reference, please register your new tool at www.oem-tools.com and complete the owner's record below:

Model: _____ **Purchase Date:** _____

Save the receipt, warranty and these instructions. It is important that you read the entire manual to become familiar with this product before you begin using it. This product is designed for certain applications only. OEMTOOLS™ cannot be responsible for issues arising from modification. We strongly recommend that this product is not modified and/or used for any application other than that for which it was designed. If you have any questions relative to a particular application, DO NOT use the product until you have first contacted customer service to determine if it can or should be performed on the product.



36" 6 DRAWER TOOL CABINET & 36" 6 DRAWER TOOL CHEST

! IMPORTANT INSTRUCTIONS AND SAFETY RULES

1. Know your tool. Read this manual carefully. Learn the tool's applications and limitations, as well as potential hazards specific to it.
2. Keep children away. All children should be kept away from the work area. Never let a child handle a tool without strict adult supervision.
3. DO NOT operate this tool if under the influence of alcohol or drugs. Read warning labels on prescriptions to determine if your judgment or reflexes are impaired while taking drugs. If there is any doubt, DO NOT attempt to operate.
4. Use safety equipment. Eye protection should be worn at all times when operating this tool. Use ANSI approved safety glasses. Everyday eyeglasses are NOT safety glasses. Dust mask, non-skid safety shoes, hard hat or hearing protection should be used in appropriate conditions.
5. Wear proper apparel. Loose clothing, gloves, neck-ties, rings, bracelets or other jewelry may present a potential hazard when operating this tool. Keep all apparel clear of the tool.
6. DO NOT overreach. Keep proper footing and balance at all times when operating this tool.
7. Check for damage. Check your tool regularly. If part of the tool is damaged, it should be carefully inspected to make sure that it can perform its intended function correctly. If in doubt, the part should be repaired. Refer all servicing to a qualified technician. Consult your dealer for advice.
8. Keep away from flammables. DO NOT attempt to operate this tool near flammable materials or combustibles. Failure to comply may cause serious injury or death.
9. Store idle tools out of the reach of children and untrained persons. Tools may be dangerous in the hands of untrained users.
10. Maintain tools with care.
11. Keep tools dry and clean.
12. Properly maintained tools are less likely to bind and are easier to control. DO NOT use a damaged tool. Tag damaged tools "DO NOT use" until repaired.
13. Check for misalignment or binding of moving parts, breakage of parts, and any other condition that may affect the tool's operation.
14. If damaged, have the tool serviced before using. Many accidents are caused by poorly maintained tools.
15. Use only accessories that are recommended by the manufacturer for your model. Accessories that may be suitable for one tool may become hazardous when used on another tool.
16. Tool service must be performed only by qualified repair personnel. Service or maintenance performed by unqualified personnel could result in a risk of injury.
17. When servicing a tool, use only identical replacement parts. Use of unauthorized parts or failure to follow maintenance instructions may create a risk of injury.
18. Maintain a safe working environment. Keep the work area well lit. Make sure there is adequate surrounding workspace. Keep the work area free of obstructions, grease, oil, trash, and other debris. DO NOT use this product in a damp or wet location.
19. Maintain labels and nameplates on this product. These carry important information. If unreadable or missing, contact OEMTOOLS™ for a replacement.
20. Keep the handle dry, clean, and free from brake fluid, oil, and grease.
21. Always perform vehicle service in a properly ventilated area. Never run an engine without proper ventilation for its exhaust. Stop work and take necessary steps to improve ventilation in the work area if you develop momentary eye, nose, or throat irritation as this indicates inadequate ventilation.
22. Engine parts that are in motion and unexpected movement of a vehicle can injure or kill. When working near moving engine parts, wear snug fit clothing and keep hands and fingers away from moving parts.
23. Keep hoses and tools clear of moving parts. Always stay clear of moving engine parts. Hoses and tools can be thrown through the air if not kept clear of moving engine parts.
24. The unexpected movement of a vehicle can injure or kill. When working on vehicles, always set the parking brake or chock the wheels.
25. Avoid accidental fire and/or explosion. DO NOT smoke near engine fuel and battery components.
26. The warnings, precautions, and instructions discussed in this manual cannot cover all possible conditions and situations that may occur. The operator must understand that common sense and caution are factors which cannot be built into this product, but must be supplied by the operator.
27. We believe the information contained herein to be reliable. However, general technical information is given by us without charge and the user shall employ such information at their own discretion and risk. We assume no responsibility for results or damages incurred from the use of such information in whole or in part. Always refer to specific instructions and technical information supplied by vehicle manufacturer.
28. The manufacturer declines any and all responsibility for damage to vehicles or components if said damage is the result of unskillful handling by the operator or of failure to observe the basic safety rules set forth in the instruction manual.
29. The procedures documented in this manual are to serve as guidelines for the use of this equipment.
30. The use of this equipment is simple and straightforward if you follow the instructions. When operating this equipment, use common sense, and only use this tool for its intended purpose.



36" 6 DRAWER TOOL CABINET & 36" 6 DRAWER TOOL CHEST

PRODUCT DESCRIPTION

The OEMTOOLS™ 36" Tool Cabinet and Chest are designed to provide mobile tool storage.

SPECIFIC SAFETY INSTRUCTIONS AND WARNINGS

▲WARNING: DO NOT exceed drawer capacity rating (see chart in Drawer Dimensions, Volume and Capacity section).

▲WARNING: ALWAYS place heavier tools in the bottom drawers. Overloading the top drawers may cause imbalance.

▲WARNING: ALWAYS be cautious when maneuvering tool box through the shop. Large obstructions, cracks in the floor, low ceilings, etc. may cause the tool box to tip, which may cause property damage and/or personal injury.

▲WARNING: ALWAYS be cautious of pinch points between the drawers, and top and bottom unit. Never place fingers or extremities in the drawers while the cart is moving. Keep extremities clear of the edges of the drawers, openings, and drawer slides when opening or closing drawers.

▲WARNING: Open the top lid of the chest with caution, and do not place extremities below the top drawer before the lid supports fully engage. The lid may close unexpectedly and cause personal injury.

▲WARNING: ALWAYS lock the casters after moving the units.

▲WARNING: ALWAYS be cautious when opening drawers and the top lid after periods of storage and/or moving the unit. Tools may shift in the drawers and cause unsafe conditions, such as falling tools, pinch points, and jammed drawers.

PRODUCT SPECIFICATIONS

TOOL CABINET AND CHEST DIMENSIONS				
Product	Width (In.)	Depth (In.)	Height (In.)	Weight (Lbs.)
Cabinet (24568 / 24639)	39.3	24.6	38.7	183
Chest (24567 / 24638)	35.6	24.2	25	138
Combo (24569 / 24640)	39.3	24.6	63.7	321

PRODUCT DIMENSIONS, VOLUME, AND CAPACITY

TOOL CABINET DRAWER DIMENSIONS, STORAGE VOLUME AND MAX CAPACITY						
Drawer Size	Width (In.)	Depth (In.)	Height (In.)	Storage Volume (Cu. In.)	# of Drawers	Capacity (Lbs.)
Extra Shallow Drawers	31.7	21.7	1.5	1,032	2	22
Shallow Drawers	31.7	21.7	2.3	1,582	2	35
Deep Drawers	31.7	21.7	5.1	3,508	1	69
Extra Deep Drawers	31.7	21.7	9	6,191	1	115
Total Storage				14,927		298

TOOL CHEST DRAWER DIMENSIONS AND STORAGE VOLUME						
Drawer Size	Width (In.)	Depth (In.)	Height (In.)	Storage Volume (Cu. In.)	# of Drawers	Capacity (Lbs.)
Top Section	33.1	24	10.1	8,023	1	n/a
Shallow Drawers	14.7	22.3	1.5	492	4	11
Deep Drawers	14.7	22.3	5.8	1,901	2	37
Total Storage				13,793		118

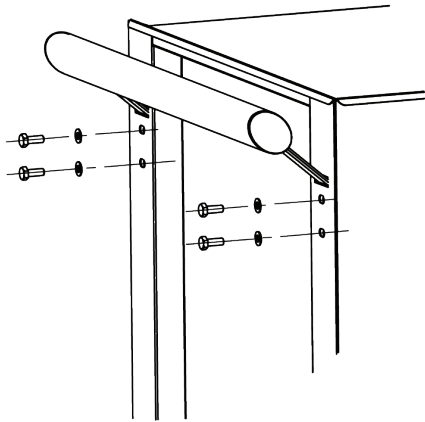


36" 6 DRAWER TOOL CABINET & 36" 6 DRAWER TOOL CHEST

TOOL CABINET ASSEMBLY (24568/24639)

1. Position the handle over the designated holes on the cabinet.
2. Attach by threading the 4 (10mm) bolts with washers.

NOTE: The handle can be installed on either side of the cabinet.



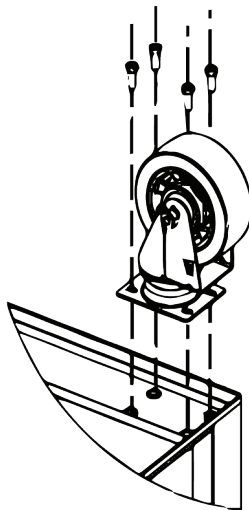
3. Lock all drawers, and lay the cabinet on one side.

WARNING: Ask for assistance when tipping the tool cabinet. This unit is heavy and can cause personal injury and property damage if dropped.

NOTE: Ensure the product is on a soft clean surface free from obstruction to prevent damage to the paint finish.

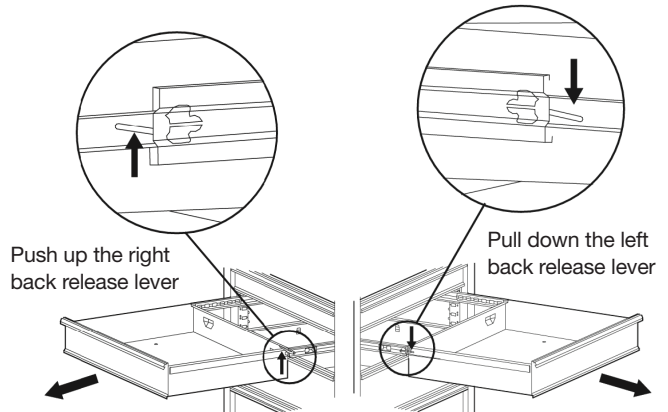
4. Secure the (4) casters using the 12mm bolts.

NOTE: The locking casters must be attached to the front of the cabinet.



REMOVING THE DRAWERS

1. Fully extend the empty drawer.
2. While pushing the release lever up on the right side of the drawer, pull down the release lever on the left side of the drawer.



REINSTALLING THE DRAWERS

1. Fully extend the empty drawer slides.
2. Insert the brackets on each side of the drawer into the slots on the slides, ensuring they are properly positioned.
3. Once properly inserted, close the drawer completely to set the slides properly.

NOTE: DO NOT force the drawers into place; if the drawer gets stuck, remove and reinstall.

MAINTENANCE

1. Periodically tighten all hardware.
2. Lubricate the drawer slides twice a year.
3. Lubricate the lock with graphite each year.
4. Use a damp microfiber cloth to clean all surfaces.

OEMTOOLS™ 36" 6 DRAWER TOOL CABINET & 36" 6 DRAWER TOOL CHEST

PRODUCT LAYOUT



PARTS DESCRIPTION

Figure	Description	Quantity
A	Chest	1
B	Cabinet	1
C	Handle	1
D	Locking Swivel Casters	2
E	Fixed Casters	2
F	Chest Transport Handles	4
G	Lid Supports	2
H	Keys (Not Shown)	4 (2 per unit)



36" 6 DRAWER TOOL CABINET & 36" 6 DRAWER TOOL CHEST

TOOL CABINET HARDWARE

Description	Quantity
12mm Bolts for Casters	16
10mm Bolts for Handle	4
Drawer Liners	7

TOOL CHEST HARDWARE

Description	Quantity
Drawer Liners	7

REPLACEMENT PARTS

Description	Replacement Part #
Locking Swivel Casters	24569A
	24640A
Fixed Casters	24569B
	24640B
Drawer Slides	24569C
	24640C
Chest Lock	24569D
	24640D
Cabinet Lock	24569E
	24640E
Lid Support	24569F
	24640F



36" 6 DRAWER TOOL CABINET & 36" 6 DRAWER TOOL CHEST

OEMTOOLS™ 3 YEAR WARRANTY

For up to three years from the date of purchase of this OEMTOOLS™ product, if you find any defect in material or workmanship (through normal usage), return it to the place of purchase or to OEMTOOLS™ for repair or replacement at our discretion. In order to obtain this service, send your tool and proof of purchase (transportation pre-paid) to:

OEMTOOLS™ Q.A. Dept., 3580 E. Raines Road #3, Memphis, TN 38118.

We will not be responsible for lost or damaged goods during transportation; please insure your package. If our inspection verifies the defect, we will either repair or replace the product, or we may elect to refund the purchase price if we cannot readily and quickly provide you with a replacement. We will return repaired products at our expense, but if we determine there is no defect, or that the defect resulted from causes not within the scope of our warranty, then you must bear the cost of returning the product.

OEMTOOLS™ does not provide warranty for products labeled other than OEM® or OEMTOOLS™. OEMTOOLS™ will not provide any warranty for products subjected to abnormal use. Abnormal use includes (but is not limited to) abuse, accident, alteration, neglect, and unauthorized or unreasonable use or repairs. This warranty does not cover bits, blades, files, batteries, or calibration. We recommend that you maintain your tools and sharpen or replace blades, bits, files, and batteries as necessary. OEMTOOLS™ reserves the right to make any changes in construction or design at any time without any obligation in incorporating such changes to tools or equipment previously sold.

OEMTOOLS™ makes every effort to ensure that its products meet high quality and durability standards, and warrants to the original purchaser that this product is free from defects in materials and workmanship for the period of three years from the date of purchase. This warranty does not apply to damage due directly or indirectly to misuse, abuse, negligence or accidents, repairs or alterations outside our facilities, criminal activity, improper installation, normal wear and tear, or to lack of maintenance.

We shall in no event be liable for death, injuries to persons or property, or for incidental, contingent, special or consequential damages arising from the use of our product. Some states do not allow the exclusion or limitation of incidental or consequential damages, so the above limitation of exclusion may not apply to you. THIS WARRANTY IS EXPRESSLY IN LIEU OF ALL OTHER WARRANTIES, EXPRESS OR IMPLIED, INCLUDING THE WARRANTIES OF MERCHANTABILITY AND FITNESS. This warranty gives you specific legal rights, and you may also have other rights, which vary from state to state.

Don't forget to register your new OEMTOOLS™ product at www.oem-tools.com.

