

Please read and save these instructions. Read through this owner's manual carefully before using product. Protect yourself and others by observing all safety information, warnings, and cautions. Failure to comply with instructions could result in personal injury and/or damage to product or property. Please retain instructions for future reference.



ROTARY BARREL PUMP POLYPROPYLENE

FOR CUSTOMER SERVICE

Technical Question?

CALL 1-866-458-2472
customerservice@oem-tools.com

UNPACKING

After unpacking unit, inspect carefully for any damage that may have occurred during transit. Check for loose, missing, or damaged parts. If any damage is observed, a shipping damage claim must be filed with carrier. Do not use the OEMTOOLS Rotary Pump if broken, bent, cracked or damaged parts (including labels) are noted. Any Rotary Pump that appears damaged in any way, operates abnormally or is missing parts should be removed from service immediately. If you suspect that the Rotary Pump was subjected to shock load (a load that was dropped suddenly, unexpectedly, etc.) immediately discontinue use until it has been checked by a factory authorized service center.



⚠ WARNING

The following safety information is provided as a guideline to help you operate your Rotary Pump under the safest possible conditions. Any tool or piece of equipment can be potentially dangerous to use when safety or safe handling instructions are not known or not followed. The following safety instructions are to provide the user with the information necessary for safe use and operation. Please read and retain these instructions for the continued safe use of your service system. Failure to follow instructions listed below may result in serious injury. In addition, make certain that anyone that uses the equipment understands and follows these safety instructions as well.

Explanation of Safety Signal Words

⚠ WARNING: Indicates a potentially hazardous situation which, if not avoided, could result in death or serious injury.

⚠ CAUTION: Indicates a potentially hazardous situation which, if not avoided, may result in minor or moderate injury.

CAUTION: Used without the safety alert symbol indicates a potentially hazardous situation which, if not avoided, may result in property damage.

NOTES: Provide clarity and helpful information.

Thank you very much for choosing an OEMTOOLS Product!

For future reference, please complete the owner's record below:

Model: _____ **Purchase Date:** _____

Save the receipt, warranty and these instructions. It is important that you read the entire manual to become familiar with this product before you begin using it. This machine is designed for certain applications only. OEMTOOLS cannot be responsible for issues arising from modification. We strongly recommend this machine is not modified and/or used for any application other than that for which it was designed. If you have any questions relative to a particular application, DO NOT use the machine until you have first contacted OEMTOOLS to determine if it can or should be performed on the product.

For technical questions please call 1-866-458-2472.



ROTARY BARREL PUMP POLYPROPYLENE



IMPORTANT INSTRUCTIONS AND SAFETY RULES

1. Know your tool. Read this manual carefully. Learn the tool's applications and limitations, as well as, potential hazards specific to it.
 2. Keep work area clean and well lit. Cluttered or dark work areas invite accidents.
 3. Keep children away. All children should be kept away from the work area. Never let a child handle a tool without strict adult supervision.
 4. Do not operate this tool if under the influence of alcohol or drugs. Read warning labels on prescriptions to determine if your judgment or reflexes are impaired while taking drugs. If there is any doubt, do not attempt to operate.
 5. Use safety equipment. Eye protection should be worn at all times when operating this tool. Use ANSI approved safety glasses. Everyday eyeglasses are NOT safety glasses. Dust mask, non-skid safety shoes, hard hat or hearing protection should be used in appropriate conditions.
 6. Wear proper apparel. Loose clothing, gloves, neck-ties, rings, bracelets or other jewelry may present a potential hazard when operating this tool. Keep all apparel clear of the tool.
 7. Don't overreach. Keep proper footing and balance at all times when operating this tool.
 8. Check for damage. Check your tool regularly. If part of the tool is damaged it should be carefully inspected to make sure that it can perform its intended function correctly. If in doubt, the part should be repaired. Refer all servicing to a qualified technician. Consult your dealer for advice.
 9. Store idle tools out of the reach of children and untrained persons. Tools may be dangerous in the hands of untrained users.
- Maintain tools with care.
 - Keep tools dry and clean.
 - Do not use a damaged tool. Tag damaged tools "Do not use" until repaired.
 - Use only accessories that are recommended by the manufacturer for your model. Accessories that may be suitable for one tool may become hazardous when used on another tool.
 - Tool service must be performed only by qualified repair personnel. Service or maintenance performed by unqualified personnel could result in a risk of injury.
 - When servicing a tool, use only identical replacement parts. Use of unauthorized parts or failure to follow maintenance instructions may create a risk of injury.
 - Maintain a safe working environment. Keep the work area well lit. Make sure there is adequate surrounding workspace. Keep the work area free of obstructions, grease, oil, trash, and other debris. Do not use this product in a damp or wet location.
 - Maintain labels and nameplates on this product. These carry important information. If unreadable or missing, contact OEMTOOLS for a replacement.
 - Before use, read and understand all warnings, safety precautions, and instructions as outlined in the vehicle manufacturer's service manual. It is beyond the scope of this manual to properly describe the correct procedure and test data for each vehicle.
- Always perform vehicle service in a properly ventilated area. Never run an engine without proper ventilation for its exhaust. Stop work and take necessary steps to improve ventilation in the work area if you develop momentary eye, nose, or throat irritation as this indicates inadequate ventilation.

WARNING

- Engine parts that are in motion and unexpected movement of a vehicle can injure or kill. When working near moving engine parts, wear snug fit clothing and keep hands and fingers away from moving parts. Keep hoses and tools clear of moving parts. Always stay clear of moving engine parts. Hoses and tools can be thrown through the air if not kept clear of moving engine parts. The unexpected movement of a vehicle can injure or kill. When working on vehicles always set the parking brake or block the wheels.
- Avoid accidental fire and/or explosion. Do not smoke near engine fuel and battery components.
- The warnings, precautions, and instructions discussed in this manual cannot cover all possible conditions and situations that may occur. The operator must understand that common sense and caution are factors which cannot be built into this product, but must be supplied by the operator.
- For safety purposes and the prevention of damage to expensive components it is advised that the user have an understanding of basic automotive repair and a working knowledge of automotive systems.
- We believe the information contained herein to be reliable. However, general technical information is given by us without charge and the user shall employ such information at his own discretion and risk. We assume no responsibility for results or damages incurred from the use of such information in whole or in part. Always refer to specific instructions and technical information supplied by vehicle manufacturer.

NOTE: The manufacturer declines any and all responsibility for damage to vehicles or components if said damage is the result of unskillful handling by the operator or of failure to observe the basic safety rules set forth in the instruction manual.

WARNING

Read Rules for Safe Operation and Instructions Carefully.

IMPORTANT SAFETY INSTRUCTIONS

The warnings, precautions, and instructions discussed in this manual cannot cover all possible conditions and situations that may occur. The operator must understand that common sense and caution are factors which cannot be built into this product, but must be supplied by the operator.

DISPOSAL

At the end of the useful life of the Rotary Pump, dispose of the components according to all state, federal, and local regulations.



ROTARY BARREL PUMP POLYPROPYLENE

PURPOSE

The OEM Rotary Barrel Pump is a hand-operated pump constructed with a polypropylene body, Ryton (PPS Polyphenylene Sulfide) rotor and vanes for resistance to chemicals. This pump is capable of transferring material at 300cc per revolution (up to 10 gallons per minute at 70 revolutions per minute) with temperatures up to 130 degrees F. Suitable for water based solutions of acid, alkalis and salt, some organic solvent, water and all petroleum products. Most organic acids, solvents, waxes, plating solution, detergents & water-soluble inorganic chemicals. Also suitable for water based chemicals in a variety of automotive, industrial and commercial applications.

WARNING

NOT SUITABLE FOR USE WITH GASOLINE, DIESEL EXHAUST FLUID (DEF), NITRIC ACID ETC. DO NOT PUMP USED, DIRTY OIL OR FLUIDS IN THIS PUMP.

IT IS SOLEY THE OPERATORS REPSONIBILITY TO DETERMINE IF A FLUID IS COMPATIBLE WITH THIS PUMP. IF IN DOUBT CONTACT THE FLUID MANUFACTURER OR OEM TOOLS.

PRODUCT SPECIFICATIONS

Flow Rate:	Up to 10 GPM
Capacity:	300 cc per revolution
Bung Adapter:	2" Thread
Suction Tube Length:	42"
Suction Tube Diameter:	1"
Discharge Spout:	3/4"
Applicable Drums:	30, 55 Gallon and some 15 Gallon.

WARNING

TOXIC FLUID HAZARD:

HAZARDOUS FLUID OR TOXIC FUMES CAN CAUSE SERIOUS INJURY OR DEATH IF SPLASHED IN THE EYES OR ON THE SKIN, INHALED, OR SWALLOWED. KNOW THE SPECIFIC HAZARDS OF THE FLUID YOU ARE USING. STORE HAZARDOUS FLUID IN AN APPROVED CONTAINER. DISPOSE OF HAZARDOUS FLUID ACCORDING TO ALL LOCAL, STATE AND NATIONAL GUIDELINES. ALWAYS WEAR PROTECTIVE EYEWEAR, GLOVES, CLOTHING AND RESPIRATOR AS RECOMMENDED BY THE FLUID AND SOLVENT MANUFACTURER.

WARNING

FIRE AND EXPLOSION HAZARD:

- EXTINGUISH ALL OPEN FLAMES OR PILOT LIGHTS IN THE WORK AREA.
- DO NOT SMOKE IN THE WORK AREA.
- DO NOT TURN ON OR OFF ANY LIGHT SWITCH IN THE WORK AREA WHILE OPERATING OR IF FUMES ARE PRESENT.
- DO NOT OPERATE A GASOLINE ENGINE IN THE WORK AREA.
- KEEP A FIRE EXTINGUISHER IN THE WORK AREA.
- KEEP THE WORK AREA FREE OF DEBRIS, INCLUDING SOLVENT, RAGS, AND GASOLINE.

INSTRUCTIONS:

1. Attach Handle:
 - a. Remove Nut from the threaded shaft of the Handle.
 - b. Loosely tighten Nut against the Handle.
 - c. Insert the Nut into the Crank Arm, then screw Handle into the Crank Arm until threaded rod is flush with the backside of Nut.
 - d. Loosen Nut from the Handle and tighten against the Crank Arm to lock threads. Handle should spin freely.
 - e. Then attach Handle Assembly to Pump Body Shaft and tighten set screw.

NOTE: Use a compatible, liquid thread sealant or PTFE tape on all male threads. Tighten all connections firmly to avoid air or fluid leaks. Do not overtighten plastic threads.

2. Slide the Bung Nut onto the top portion of the Suction Tube. Do not tighten.
3. Thread the Suction Tube into the inlet side of Pump. Attach extensions as needed for your drum size.
4. Insert Suction Tube into the drum's 2" Bung opening.
5. Thread the Bung Nut into the tank.
6. Position the Pump Head at the desired height and angle and tighten the Bung Nut Locking Screw.

NOTE: If the pump position is too high the pick-up tube cannot capture fluid.

7. Assemble and thread the Delivery Spout onto the output side of Pump.

MAINTENANCE:

Weekly: Spray a Teflon lubricant into the Pump Body.



ROTARY BARREL PUMP POLYPROPYLENE

Figure	Description	Quantity
A	Pump Body	1
B	Discharge Spout	1
C	Suction Tube	3
D	Handle	1
E	Bung Nut	1
F	Bung Nut Locking Screw	1
G	Handle Locknut (Not Shown)	1
H	Handle Nut (Not Shown)	1
I	Crank Arm	1

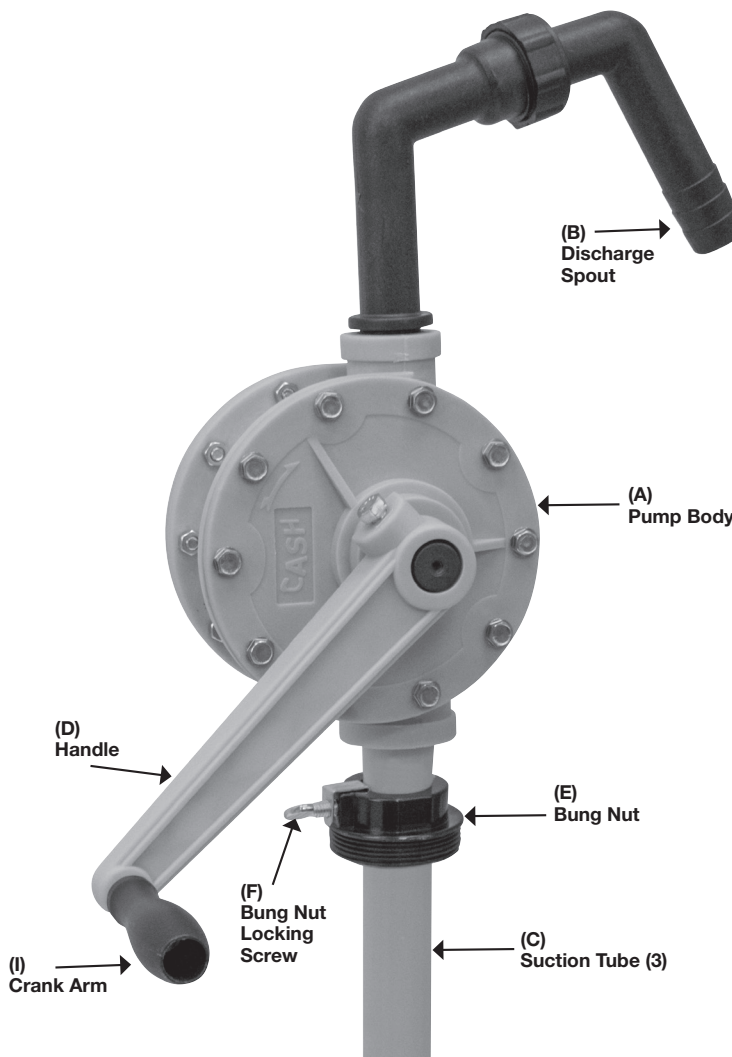
OEMTOOLS™ ONE YEAR WARRANTY

If for up to one year from the date of purchase of this OEMTOOLS product you find any defect in material or workmanship, through normal usage, return it to the place of purchase, or to OEMTOOLS for repair or replacement at our discretion. In order to obtain this service send your tool and proof of purchase, transportation pre-paid, to OEMTOOLS Q.A. Dept, 3580 E. Raines Road #3, Memphis, TN 38118. We will not be responsible for lost or damaged goods during transportation, please insure your package. If our inspection verifies the defect, we will either repair or replace the product at our election, or we may elect to refund the purchase price if we cannot readily and quickly provide you with a replacement. We will return repaired products at our expense, but if we determine there is no defect, or that the defect resulted from causes not within the scope of our warranty, then you must bear the cost of returning the product.

OEMTOOLS does not provide warranty for products labeled other than OEM or OEMTOOLS. OEMTOOLS will not provide any warranty for products subjected to abnormal use. Abnormal use includes, but is not limited to, abuse, accident, alteration, neglect, and unauthorized or unreasonable use or repairs. This warranty does not cover bits, blades, files, batteries, or calibration. We recommend that you maintain your tools and sharpen or replace blades, bits, files, and batteries as necessary. OEMTOOLS reserves the right to make any changes in construction or design at any time without any obligation in incorporating such changes to tools or equipment previously sold.

OEMTOOLS makes every effort to assure that its products meet high quality and durability standards, and warrants to the original purchaser that this product is free from defects in materials and workmanship for the period of one year from the date of purchase. This warranty does not apply to damage due directly or indirectly to misuse, abuse, negligence or accidents, repairs or alterations outside our facilities, criminal activity, improper installation, normal wear and tear or to lack of maintenance.

We shall in no event be liable for death, injuries to persons or property, or for incidental, contingent, special or consequential damages arising from the use of our product. Some states do not allow the exclusion or limitation of incidental or consequential damages, so the above limitation of exclusion may not apply to you. THIS WARRANTY IS EXPRESSLY IN LIEU OF ALL OTHER WARRANTIES, EXPRESS OR IMPLIED, INCLUDING THE WARRANTIES OF MERCHANTABILITY AND FITNESS. This warranty gives you specific legal rights, and you may also have other rights, which vary from state to state.



3580 E. Raines Road, Suite 3, Memphis, TN 38118
Tel: 1-866-458-2472
www.oem-tools.com

