

Please read and save these instructions. Read through this owner's manual carefully before using product. Protect yourself and others by observing all safety information, warnings, and cautions. Failure to comply with instructions could result in personal injury and/or damage to product or property. Please retain instructions for future reference.

OEMTOOLS® 3 SPEED EVAPORATIVE COOLER

FOR CUSTOMER SERVICE

Technical Question?

CALL 1-866-458-2472
customerservice@oem-tools.com

UNPACKING

After unpacking the unit, inspect carefully for any damage that may have occurred during transit. Check for loose, missing, or damaged parts. If any damage is observed, a shipping damage claim must be filed with the carrier. DO NOT use the OEMTOOLS® 3 Speed Evaporative Cooler if broken, bent, cracked or damaged parts (including labels) are noted. Any Evaporative Cooler that appears damaged in any way, operates abnormally or is missing parts should be removed from service immediately. If you suspect that the Evaporative Cooler was subjected to shock load (a load that was dropped suddenly, unexpectedly, etc.), immediately discontinue use until it has been checked by a factory authorized service center.



**3,100 CFM 3 Speed
Evaporative Cooler
23968**



**5,300 CFM 3 Speed
Evaporative Cooler
23969**

⚠ WARNING

The following safety information is provided as a guideline to help you operate your Evaporative Cooler under the safest possible conditions. Any tool or piece of equipment can be potentially dangerous to use when safety or safe handling instructions are not known or not followed. The following safety instructions are to provide the user with the information necessary for safe use and operation. Please read and retain these instructions for the continued safe use of your Evaporative Cooler. Failure to follow instructions listed below may result in serious injury. In addition, make sure that anyone who uses the equipment understands and follows these safety instructions as well.

Explanation of Safety Signal Words

⚠ WARNING: Indicates a potentially hazardous situation which, if not avoided, could result in death or serious injury.

⚠ CAUTION: Indicates a potentially hazardous situation which, if not avoided, may result in minor or moderate injury.

CAUTION: Used without the safety alert symbol indicates a potentially hazardous situation which, if not avoided, may result in property damage.

NOTES: Provide clarity and helpful information.

Thank you very much for choosing an OEMTOOLS® Product!

For future reference, please register your new tool at www.oem-tools.com and complete the owner's record below:

Model: _____ Purchase Date: _____

Save the receipt, warranty and these instructions. It is important that you read the entire manual to become familiar with this product before you begin using it. This product is designed for certain applications only. OEMTOOLS® cannot be responsible for issues arising from modification. We strongly recommend that this product is not modified and/or used for any application other than that for which it was designed. If you have any questions relative to a particular application, DO NOT use the product until you have first contacted customer service to determine if it can or should be performed on the product.

⚠ WARNING: This product can expose you to chemicals, including DEHP and lead, which are known to the State of California to cause cancer and birth defects or other reproductive harm. For more information, go to www.P65Warnings.ca.gov.

OEMTOOLS® 3 SPEED EVAPORATIVE COOLER

! IMPORTANT INSTRUCTIONS AND SAFETY RULES

1. Know your evaporative cooler. Read this manual carefully. Learn the evaporative cooler's applications and limitations, as well as potential hazards specific to it.
2. Keep work area clean and well lit. Cluttered or dark work areas invite accidents.
3. Keep children away. All children should be kept away from the work area. Never let a child handle an evaporative cooler without strict adult supervision.
4. DO NOT operate this evaporative cooler if under the influence of alcohol or drugs. Read warning labels on prescriptions to determine if your judgment or reflexes are impaired while taking drugs. If there is any doubt, DO NOT attempt to operate.
5. Use safety equipment. Eye protection should be worn at all times when operating this evaporative cooler. Use ANSI approved safety glasses. Everyday eyeglasses are NOT safety glasses. Dust mask, non-skid safety shoes, hard hat or hearing protection should be used in appropriate conditions.
6. Wear proper apparel. Loose clothing, gloves, neck-ties, rings, bracelets or other jewelry may present a potential hazard when operating this evaporative cooler. Keep all apparel clear of the evaporative cooler.
7. DO NOT overreach. Keep proper footing and balance at all times when operating this evaporative cooler.
8. Check for damage. Check your evaporative cooler regularly. If part of the evaporative cooler is damaged, it should be carefully inspected to make sure that it can perform its intended function correctly. If in doubt, the part should be repaired. Refer all servicing to a qualified technician. Consult your dealer for advice.
9. Keep away from flammables. DO NOT attempt to operate this evaporative cooler near flammable materials or combustibles. Failure to comply may cause serious injury or death.
10. Store idle evaporative cooler out of the reach of children and untrained persons. Evaporative coolers may be dangerous in the hands of untrained users.
11. Maintain your evaporative cooler with care.
12. DO NOT use a damaged evaporative cooler. Tag damaged evaporative coolers "DO NOT USE" until repaired.
13. Use only accessories that are recommended by the manufacturer for your model. Accessories that may be suitable for one tool may become hazardous when used on another evaporative cooler.
14. Evaporative cooler service must be performed only by qualified repair personnel. Service or maintenance performed by unqualified personnel could result in a risk of injury.

15. When servicing an evaporative cooler, use only identical replacement parts. Use of unauthorized parts or failure to follow maintenance instructions may create a risk of injury.
16. Maintain a safe working environment. Keep the work area well lit. Make sure there is adequate surrounding workspace. Keep the work area free of obstructions, grease, oil, trash and other debris.
17. Maintain labels and nameplates on this product. These carry important information. If unreadable or missing, contact OEMTOOLS® for a replacement.

IMPORTANT SAFETY INSTRUCTIONS

The warnings, precautions, and instructions discussed in this manual cannot cover all possible conditions and situations that may occur. The operator must understand that common sense and caution are factors which cannot be built into this product, but must be supplied by the operator.

DISPOSAL

At the end of the useful life of the OEMTOOLS® 3 Speed Evaporative Cooler, dispose of the components according to all state, federal and local regulations.

PRODUCT DESCRIPTION

The OEMTOOLS® 3 Speed Evaporative Cooler works on the principle of heat absorption by moisture evaporation. Simply put, heat is removed from the air as water evaporates. You feel this principle in action when you step out of a swimming pool or shower and feel cool as water evaporates from the surface of your skin. Your evaporative cooler works on the same principle. The fan pulls hot outside air through the wet cooling pads, where the air is cooled by evaporation and then discharged from the cooler.

PRODUCT SPECIFICATIONS - 23968

Size	37" H x 25" W x 17" D
Dry Weight	40 Lb.
CFM	3,100
Cooling Area	Up to 950 sq. ft.
Motor Power	1/5 HP, 3 Speed
Water Capacity	10.3 Gallons
Input Voltage	115V AC, 1-Phase
Run Time	Up to 4 hours

PRODUCT SPECIFICATIONS - 23969

Size	45" H x 28" W x 17" D
Dry Weight	57 Lb.
CFM	5,300
Cooling Area	Up to 1,600 sq. ft.
Motor Power	1/3 HP, 3 Speed
Water Capacity	14.6 Gallons
Input Voltage	115V AC, 1-Phase
Run Time	Up to 4 hours



3 SPEED EVAPORATIVE COOLER

SAFETY INFORMATION

READ AND SAVE THESE INSTRUCTIONS

▲WARNING:

1. Unplug the evaporative cooler before moving it or performing maintenance. DO NOT touch the evaporative cooler when your hands are wet.
2. Those who are not qualified electricians should not disassemble, repair or rebuild the evaporative cooler.
3. Unplug the evaporative cooler when it is not in use.
4. DO NOT unplug the evaporative cooler by holding the cable cord. Unplug by holding the plug.
5. DO NOT use the evaporative cooler when there is damage to the cable cord or plug.
6. Avoid the use of extension cords when possible. Ensure that they are UL listed if they must be used. DO NOT use a single extension cord to operate more than one evaporative cooler. DO NOT plug the evaporative cooler into any other cord-connected device (power strip, surge protector, multiple outlet adapters, etc.).
7. DO NOT use the evaporative cooler close to any fire or heat source.
8. DO NOT insert your hand or other objects into the rear housing when the blade is moving.
9. To reduce the risk of fire or electric shock, DO NOT use this evaporative cooler with any solid-state speed control device.
10. DO NOT operate any evaporative cooler with a damaged cord or plug. Discard the evaporative cooler or return to an authorized service facility for examination and/or repair.
11. DO NOT run cord under carpeting. DO NOT cover cord with throw rugs, runners or similar coverings. DO NOT route cord under furniture or appliances. Arrange cord away from traffic area and where it will not be tripped over.
12. DO NOT use if electrical cord is frayed or bent.
13. DO NOT immerse the evaporative cooler in water.
14. Confirm the rear panel is attached before operating.
15. This evaporative cooler is not intended for use by people (including children) with reduced physical, sensory or mental capabilities or lack of experience and knowledge unless they have been given supervision or instructions concerning use of the evaporative cooler by a person responsible for their safety. Supervise children to ensure they do not play with the evaporative cooler.
16. Always place the evaporative cooler on a stable, flat, level surface when operating, to avoid the chance of the evaporative cooler overturning.

17. To reduce the risk of fire or electrical shock, DO NOT expose electrical connections to water.

18. DO NOT touch electrically live components.

19. Adequate ventilation is required.

ASSEMBLY INSTRUCTIONS

Evaporative coolers are pre-assembled and ready to operate. Simply remove the packaging and then carefully remove the unit from the box. Install the casters. **Casters are located in the compartment on the bottom of the cooler.** Lock the 2 locking wheels before filling and turning on fan to keep the cooler from moving from the air velocity.



Lay the cooler down.



Unscrew the two screws, remove the bottom panel.



Take out: Casters (4)
Screws (16)
Garden Hose adapter (1)



Install 4 Casters.

NOTE: The media pad will have a slight odor when it is new. This is normal. It will dissipate after a period of time depending on the use time. Draining the tank often during the break-in period will help speed this up.

OPERATING INSTRUCTIONS

1. Your cooler must be positioned in front of an open window or door if it is to operate effectively.
2. Always ensure that there is another open window or door through which the air can exhaust from the room.
3. Ensure the filter is kept clean throughout the summer season.
4. At the end of each day, run your cooler on FAN ONLY for 30 minutes to dry out the filter.

OEMTOOLS® 3 SPEED EVAPORATIVE COOLER

5. Prior to putting your cooler away for winter, always:
 - a. Drain the tank and wipe it clean.
 - b. Clean the filter.
 - c. Re-assemble and run on FAN ONLY for 30 minutes to dry out the filter.
6. Having completed assembly of your cooler, position the unit with its back to an open window or door. This will allow fresh air to be drawn through the cooler and exhausted from the room. Constant air change is essential and part of the fresh air benefit from evaporative air cooling.
7. **Remember:** your cooler has been designed to operate even if it runs out of water. No damage will be caused to the pump if cooler runs out of water.

FILLING COOLER OR CONNECTING TO WATER SUPPLY

Move the cooler to an area where it can be filled.

MANUAL FILL

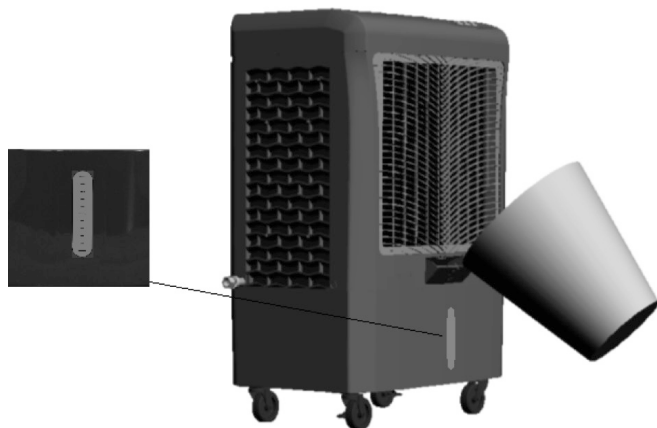
The cooler can be filled via the front fill door by hose or bucket. Using the water fill window to monitor water level, simply depress the fill door and the spring lock will release and open it. To close, simply push it closed and locked.

AUTO FILL CONNECTIONS

Connect to a water supply using a garden hose or coil hose (supplied by customer), or a direct water line. (Parts for direct connection can be obtained at any hardware store.) Simply attach hose adapter (supplied with cooler) to the float valve nipple protruding from cooler. Verify water tight connections by visually examining the hose connection.

CAUTION:

Water inlet pressure should be limited to a maximum 50 PSI. If valve is overcome, install a pressure reducer (25 PSI) on nipple first. (It can be obtained at hardware stores in the Irrigation section.) Hose bib needs only be cracked open slightly to supply water to float valve, and the cooler only needs to be about half filled when in auto fill configuration. The float is already set to that level.



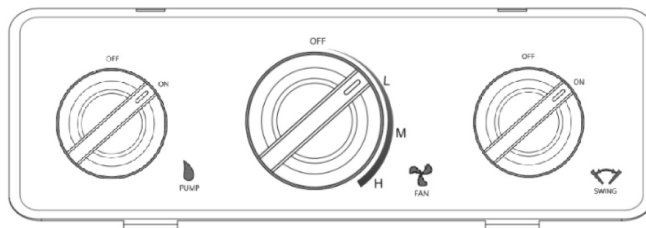
USING THE ROTARY MECHANICAL CONTROL SWITCHES (CLOCKWISE FROM OFF):

Rotary Switch #1: Controls pump function

Rotary Switch #2: Controls fan functions

- Off
- L: Low Fan
- M: Medium Fan
- H: High Fan

Rotary Switch #3: Controls swing function



ON/OFF SWITCHES

Each function is controlled independently. To dry the pads or use the cooler as a fan only, simply turn the fan switch on to desired speed while leaving the pump power switch in the "OFF" position.

ADDITIONAL FEATURES

- GFCI plug end

MAINTENANCE

⚠WARNING: DO NOT remove the back panel with the cooler running.

NOTE: For best operation and long useful life, the following maintenance and cleaning procedures should be followed.

CLEANING COOLER AND PADS

At regular intervals, the cooler should be shut down and disconnected from power supply. The water tank should be drained of dirty water and sprayed out with fresh water and refilled. The more you do this, the better it will work and less calcium will develop on pads and/or other surfaces. You may spray through the cooling pads to wash them out and allow water to deposit in the tank to be drained away. The removable panel and media pad can be sprayed out on the ground to clean pad. Use light pressure when spraying pads. NEVER spray pads with water while cooler is operating and fan is running. This can cause damage to motor and will void the warranty.

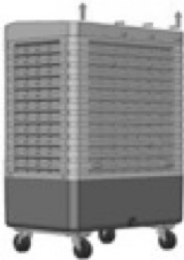


3 SPEED EVAPORATIVE COOLER

REMOVAL OF THE BACK PANEL

Disconnect power supply before this procedure.

1. Unscrew the screws at top of back panel (3).
2. Lift panel up and pull out at the bottom.
3. Slide the panel out of the cabinet.
4. You will now have access to the pump, float valve and the water distributor spreaders.



Unscrew the screws in the back panel first, then pull the back panel up.



Pull out the bottom of the back panel then take it down.

DRAINING THE COOLER TANK

Unscrew drain cap from drain assembly and drain away water. You may tip the unit carefully to the drain side to help drain all the water out.

REMOVAL AND REPLACEMENT OF COOLING MEDIA

The cooling pads are made from a special resin impregnated craft paper specially designed for evaporative cooling. They will last many years if maintained properly and water quality is maintained. It is not necessary to remove the pads to clean them.

Inspect the pads for deposits of calcium on the air entering side. If the flute cells are clogged or the pad is very heavy, it may be time to change the media. New OEMTOOLS® media can be purchased where you bought the cooler. Follow these steps for replacing the pads.

1. With access panel removed, simply pull off the pad retainer disc from the pad pin.
2. With disc removed, remove the pins from the pads and carefully remove pads from the fixed side mounting frame. Then do the same for the back panel or panels.
3. Pads are made with a 45/45 flute and can be installed either side to the frame. Just make sure the distribution pad that is fixed to the top of the new media pad is at the top. This allows water to get onto the top of the pad evenly. The installation of the pads is opposite of the removal: Install the pad, insert pins and install the retaining disc.
4. Reinstall the back panel and you are ready to use the cooler again.

PUMP MAINTENANCE AND REPLACEMENT

NOTE: Disconnect power supply before this procedure.

The submersible pump is mounted inside the tank to the bottom with a retention bracket. While you are cleaning the cooler, the pump may be removed and the strainer cap on the bottom of pump can be cleaned of debris. If pump has failed and needs replacing, follow these steps:

1. Remove retaining screws.
2. Remove the switch control panel from the top of cooler by inserting a small screwdriver into the tap slots and pop loose.
3. The pump is connected to the control via the white plastic clip. Disconnect the pump clip and feed the plastic clip through the control box into the cooler.
4. There are cable ties holding the power cable to the water hose, which is routed up the front corner of the cooler. Remove the cable ties. Remove the pump from cooler when cable is free.
5. Re-install the new pump in reverse. Be sure to reconnect the cable in the twist ties and secure the cable in a manner of which it stays clear of fan blade when cooler is running. Re-attach the pump clip in the control box. Be sure not to pull any other wires loose from control switches when you have panel loose.
6. Re-install the control panel into the cabinet making sure it is seated.

FLOAT VALVE REPLACEMENT OR ADJUSTMENT

NOTE: Disconnect power supply before this procedure.

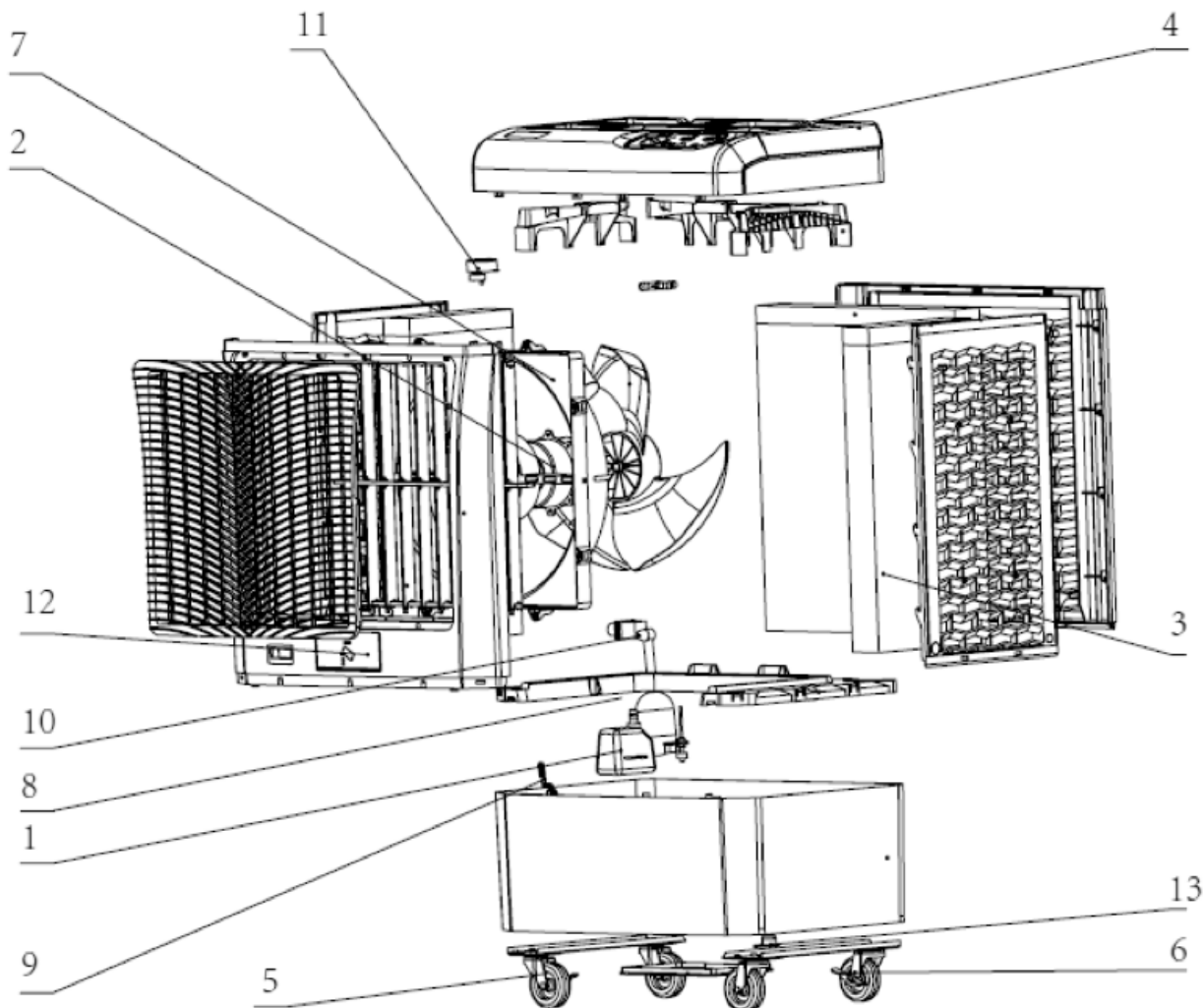
The float valve is mounted to the left side of the cooler if you are facing the front grill. It is held in place by the retaining nut that is visible from the outside. The rubber washer is between the nut and cabinet. The rear panel will have to be removed to adjust the float (if the water level is too high or too low) or remove and replace a float that has failed to shut off water supply.

NOTE: Be sure that the PSI of the supply water is within the 50 PSI specification before determining that the float has failed.

1. The float valve can be purchased where you purchased your cooler.
2. Remove any hose adapters attached to the float valve nipple.
3. Remove the rear panel assembly as instructed in Section 5.
4. Remove the float valve retaining nut and rubber washer. Then remove float valve from cabinet.
5. Re-install the float valve in reverse. Set the valve adjustment to around 60 degrees for best results.

OEMTOOLS® 3 SPEED EVAPORATIVE COOLER

PARTS DIAGRAM



PARTS LIST

No.	Part Name	23968 Part #	23969 Part #
1	Pump	6036050	6060050
2	Motor	6037051	6061051
3	Rigid Media Set	CP370	CP610
4	Control Board	6037069	6037069
5	Casters	6036061	6060061
6	Casters w/lock	6036062	6060062
7	Fan Blade	6037052	6061052
8	Float Valve	6018058	6018058
9	Hose Adapter	6018088	6018088
10	Water Level Float	6037059	6037059
11	Oscillator Motor	6037057	6037057
12	Water Fill Door	6037076	6037076
13	Drain Plug	6017081	6017081



3 SPEED EVAPORATIVE COOLER

Problem	Cause/Remedy
1. Cooler fails to work at all	1.1 Check that the unit is plugged in properly.
	1.2 Check the POWER switch, push it to "ON".
	1.3 The TIMER switch is "OFF", turn it to "ON".
	1.4 Make sure cooler is not plugged into a tripped GFIC outlet. If so, reset GFIC or move to non GFIC outlet.
2. Cooler does not pump	2.1 Pump is not activated. Push the PUMP switch to "ON".
	2.2 Water level is low. Fill with water and make sure pump is activated.
	2.3 Be sure the pump and pump hose are clear of debris.
	2.4 Pump may be defective. Replace pump.
3a. Fan does not operate	3.1 Check that unit is plugged in properly.
	3.2 Check the POWER switch, push it to "ON".
	3.3 If connected to a GFIC outlet, check to see if it is tripped.
	3.4 Troubleshoot rotary switch.
3b. Fan runs slow at start up	3b.1 Replace motor capacitor.
4. Louver does not operate	4.1 Louver does not move. Move swing switch position to "ON".
	4.2 Check Oscillator motor for proper placement and operation.
5. Water leakage	5.1 Check the cap of the drain assembly, make sure it tightened.
	5.2 Inspect tank for cracks or breakage.
	5.3 Make sure cooler is level.
	5.4 Check media pads for buildup allowing water out on outside of pad frame -- change media if needed.
	5.5 If water is coming out of the fan, check for leaks in water distribution hoses and/or leaks at hose connections to spreaders.
	5.6 Be sure there is at least 4 inches of space for rear panel free from wall or other obstruction. This could make the side panels release water to airstream due to increased air velocity through the sides.
	5.7 Spreaders may have scale buildup allowing water to pool and spill over into airstream --- clean spreaders.
6. Float Valve	6.1 If water levels are too high/low, adjust the wing nut on the valve.
	6.2 If there is a leak, check for cracks. Purchase new valve at www.oem-tools.com

OEMTOOLS® 3 SPEED EVAPORATIVE COOLER

OEMTOOLS® EVAPORATIVE COOLERS LIMITED ONE YEAR WARRANTY

THE WARRANTIES OF MERCHANTABILITY AND FITNESS. This warranty gives you specific legal rights, and you may also have other rights, which vary from state to state.

For one year from the original purchase date of this product, OEMTOOLS® will warranty the product to be free from defects in material or workmanship. If component and or components are found to be defective within this period, OEMTOOLS will replace the defective component and or components free of charge. Copies of proof of purchase and cooler manufacturing label will be needed for the warranty claim.

If you find any defect in material or workmanship, through normal usage, please call OEMTOOLS at 866-458-2472.

OEMTOOLS® does not provide warranty for products labeled other than OEM® or OEMTOOLS®. OEMTOOLS® will not provide any warranty for products subjected to abnormal use. Abnormal use includes (but is not limited to) abuse, accident, alteration, neglect and unauthorized or unreasonable use or repairs. This warranty does not cover bits, blades, files, batteries or calibration. We recommend that you maintain your tools and sharpen or replace blades, bits, files and batteries as necessary. OEMTOOLS® reserves the right to make any changes in construction or design at any time without any obligation in incorporating such changes to tools or equipment previously sold.

OEMTOOLS® makes every effort to ensure that its products meet high quality and durability standards, and warrants to the original purchaser that this product is free from defects in materials and workmanship for the period of one year from the date of purchase. This warranty does not apply to damage due directly or indirectly to misuse, abuse, negligence or accidents, repairs or alterations outside our facilities, criminal activity, improper installation, normal wear and tear or to lack of maintenance.

OEMTOOLS is not responsible for damaged shipments or shortages resulting from carrier mishandling. Notify your carrier's office immediately to file a claim. Keep damaged goods and containers for inspection until advised by the carrier as to disposal.

We shall in no event be liable for death, injuries to persons or property, or for incidental, contingent, special or consequential damages arising from the use of our product. Some states do not allow the exclusion or limitation of incidental or consequential damages, so the above limitation of exclusion may not apply to you. THIS WARRANTY IS EXPRESSLY IN LIEU OF ALL OTHER WARRANTIES, EXPRESS OR IMPLIED, INCLUDING THE WARRANTIES OF MERCHANTABILITY AND FITNESS. This warranty gives you specific legal rights, and you may have other rights, which vary from state to state.

CONTACT US

3580 E. Raines Road, Suite 3, Memphis, TN 38118
Tel: 1-866-458-2472
www.oem-tools.com